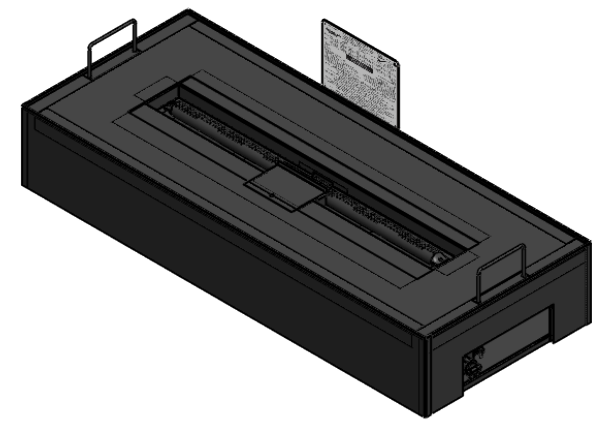


2

1

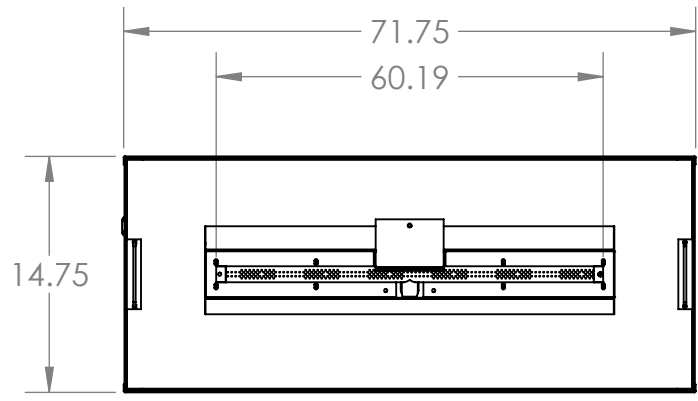
POWER REQUIREMENTS	VOLTS		AC 120 v @ 60Hz
	BATTERY BACKUP		4+ aa BATTERY 6v
LAMPS	LED 5v RGB		WS2811 DIODES
	IR REMOTE CONTROLLER		
	CUSTOMIZABLE WIFI APP		
PROFLAME II SYSTEM	5 LEVELS OF FLAME INTENSITY		
	REMOTE CONTROLLED IGNITION		
	VENTED CONFIGURATION		
HEATING OUTPUT	MAXIMUM HEAT	90,000 BTU/hr	26.35 kW
	MINIMUM HEAT (EN)	60,000 BTU/hr	17.56 kW
	MINIMUM HEAT (EP)	50,000 BTU/hr	14.64 kW

NOTE:
EN- NATURAL GAS
EP- PROPANE



B

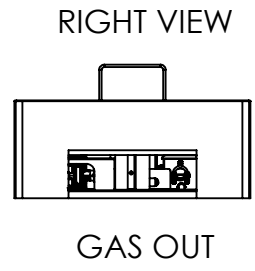
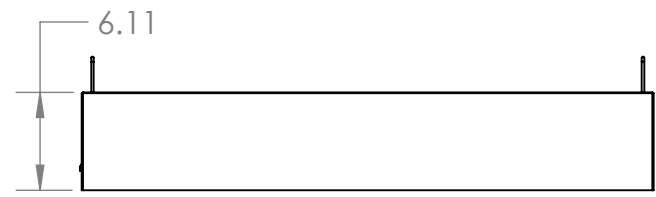
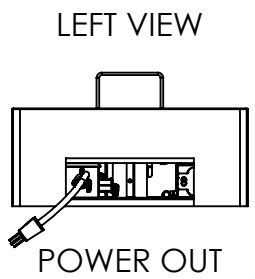
B



MINIMUM FIRE BOX DIM. (INCHES)		
WIDTH	DEPTH	HEIGHT
72.00	15.00	20.00

A

A



TITLE:
LINEAR DROP IN BURNER, VENTED
LDB72L-EP
LDB72L-EN

SIZE	DWG. NO.	REV
A	LDB-72L-XX	A
SCALE: N/A WEIGHT:		SHEET 1 OF 1

2

1