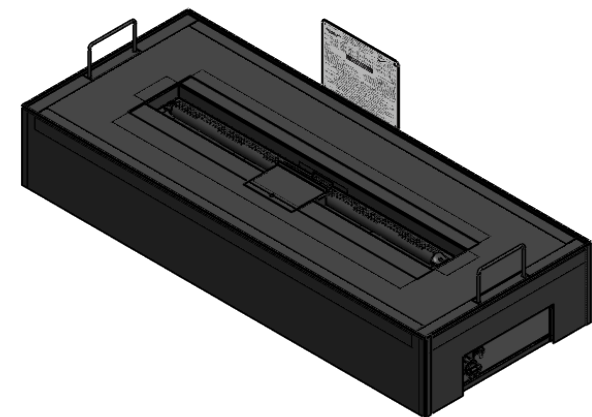


2

1

POWER REQUIREMENTS	VOLTS		AC 120 v @ 60Hz
	BATTERY BACKUP		4+ aa BATTERY 6v
LAMPS	LED 5v RGB		WS2811 DIODES
	IR REMOTE CONTROLLER		
	CUSTOMIZABLE WIFI APP		
PROFLAME II SYSTEM	5 LEVELS OF FLAME INTENSITY		
	REMOTE CONTROLLED IGNITION		
	VENTED CONFIGURATION		
HEATING OUTPUT	MAXIMUM HEAT	60,000 BTU/hr	17.56 kW
	MINIMUM HEAT (EN)	40,000 BTU/hr	11.71 kW
	MINIMUM HEAT (EP)	30,000 BTU/hr	8.78 kW

NOTE:
EN- NATURAL GAS
EP- PROPANE

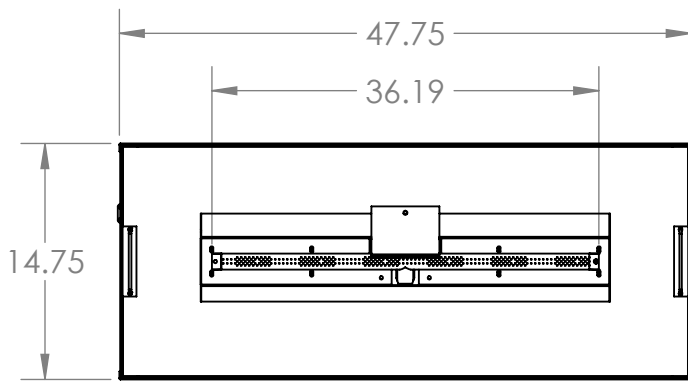


B

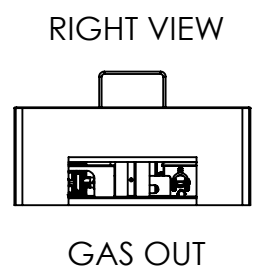
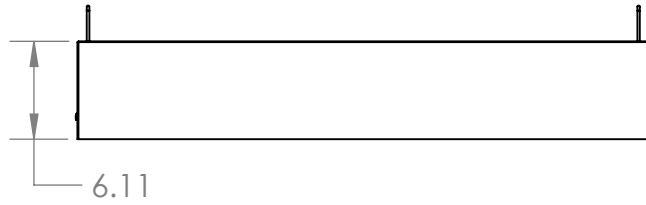
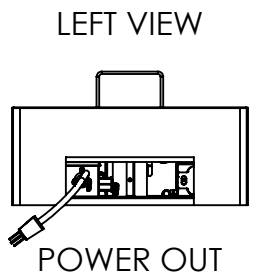
B

A

A



MINIMUM FIRE BOX DIM. (INCHES)		
WIDTH	DEPTH	HEIGHT
48.00	15.00	20.00



GRAND CANYON GAS LOGS

TITLE:
LINEAR DROP IN BURNER, VENTED
LDB48L-EP
LDB48L-EN

SIZE	DWG. NO.	REV
A	LDB-48L-XX	A
SCALE: N/A WEIGHT:		SHEET 1 OF 1

2

1