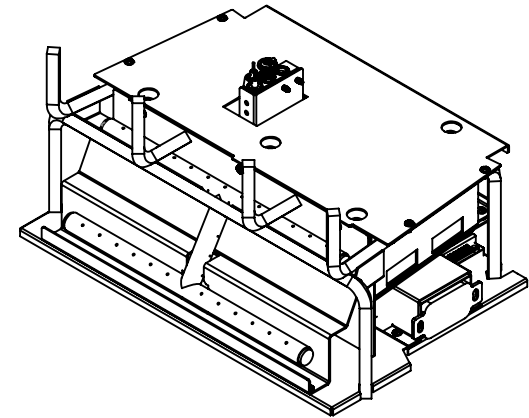


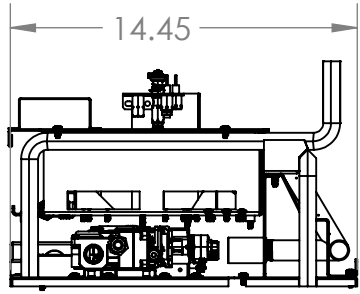
2

1

POWER REQUIREMENTS	SIT VARIABLE 4X AA BATTERY - 6v	DEXEN 2X D-CELL BATTERY - 3v	
PRESSURE	MINIMUM	NATURAL GAS 5 IN. OF W.C	PROPANE 11 IN. OF W.C
	MANIFOLD	3.5 IN. OF W.C	10.5 IN. OF W.C
	MAXIMUM	10.5 IN. OF W.C	14 IN. OF W.C
HEAT	HIGH BTU (ALL)	85,000 BTU [24.91 kW]	
	LOW BTU (VEN)	55,000 BTU [16.11 kW]	
	LOW BTU (VEP)	48,000 BTU [14.06 kW]	
ACTIVE EMBER BED	OUTDOOR COVERED PATIO	STEEL CONSTRUCTION	BLACK COATING
PLATINIUM EMBERS	BLACK EMBERS	LAVA ROCK	GLOWFIRE LOGS
LOG SPECIES			
GFWOC36	36" GLOWFIRE ARIZONA WEATHERED OAK CHARRED LOGS		
MINIMUM FIRE BOX DIM. (INCHES)			
FRONT	REAR	DEPTH	HEIGHT
46	36	18	26

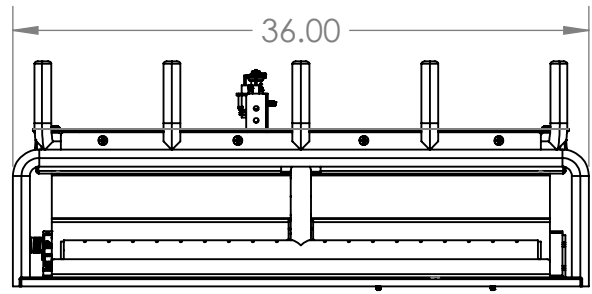


LEFT VIEW



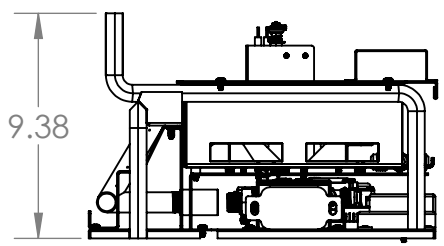
GAS INLET

36.00



\*LAFV-36-VEN SHOWN

RIGHT VIEW



BATTERY PACK

NOTE:  
 LAFV-24-XX  
 EN - ELECTRONIC (DEXEN) NATURAL GAS  
 EP- ELECTRONIC (DEXEN) PROPANE  
 VEN - VARIABLE ELECTRONIC (SIT) NATURAL GAS  
 VEP- VARIABLE ELECTRONIC (SIT) PROPANE



TITLE:  
 36 IN. LAVA FRONT VIEW  
 BATTERY ELECTRONIC  
 IGNITION

SIZE	DWG. NO.	REV
<b>A</b>	LAFV-36-XX	A
SCALE: N/A WEIGHT:		SHEET 1 OF 1

2

1