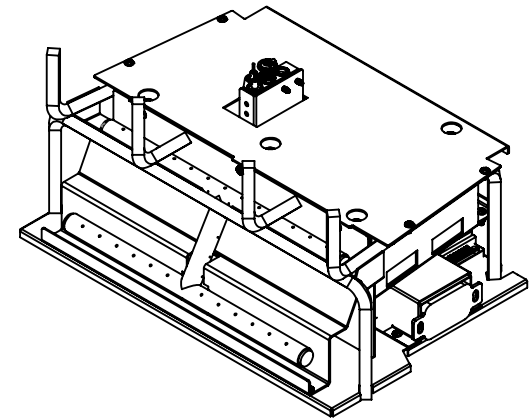


2

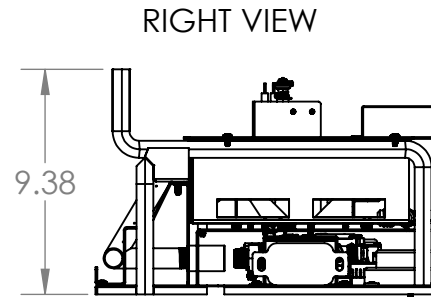
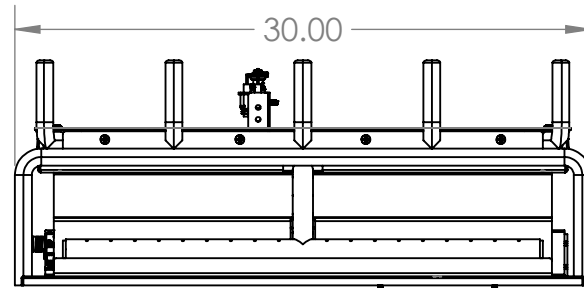
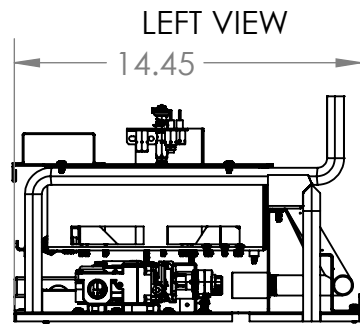
1

POWER REQUIREMENTS	SIT VARIABLE 4X AA BATTERY - 6v	DEXEN 2X D-CELL BATTERY - 3v	
PRESSURE	MINIMUM	NATURAL GAS 5 IN. OF W.C	PROPANE 11 IN. OF W.C
	MANIFOLD	3.5 IN. OF W.C	10.5 IN. OF W.C
	MAXIMUM	10.5 IN. OF W.C	14 IN. OF W.C
HEAT	HIGH BTU (ALL)	75,000 BTU [21.98 kW]	
	LOW BTU (VEN)	45,000 BTU [13.18 kW]	
	LOW BTU (VEP)	40,000 BTU [11.72 kW]	
ACTIVE EMBER BED	OUTDOOR COVERED PATIO	STEEL CONSTRUCTION	BLACK COATING
PLATINIUM EMBERS	BLACK EMBERS	LAVA ROCK	GLOWFIRE LOGS
LOG SPECIES			
GFWOC30	30" GLOWFIRE ARIZONA WEATHERED OAK CHARRED LOGS		
MINIMUM FIRE BOX DIM. (INCHES)			
FRONT	REAR	DEPTH	HEIGHT
40	30	18	26



B

B



A

A

GAS INLET

*LAFV-30-VEN SHOWN

BATTERY PACK



TITLE:
30 IN. LAVA FRONT VIEW
BATTERY ELECTRONIC
IGNITION

NOTE:
LAFV-24-XX
EN - ELECTRONIC (DEXEN) NATURAL GAS
EP- ELECTRONIC (DEXEN) PROPANE
VEN - VARIABLE ELECTRONIC (SIT) NATURAL GAS
VEP- VARIABLE ELECTRONIC (SIT) PROPANE

SIZE	DWG. NO.	REV
A	LAFV-30-XX	A
SCALE: N/A WEIGHT:		SHEET 1 OF 1

2

1