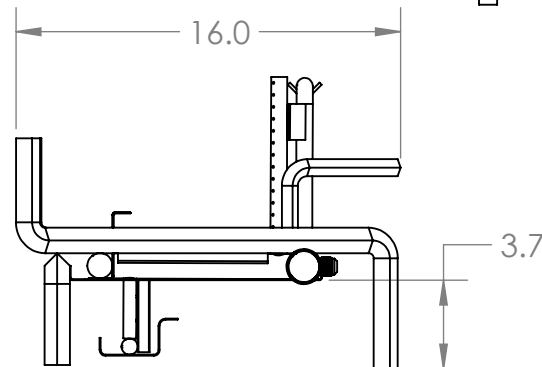
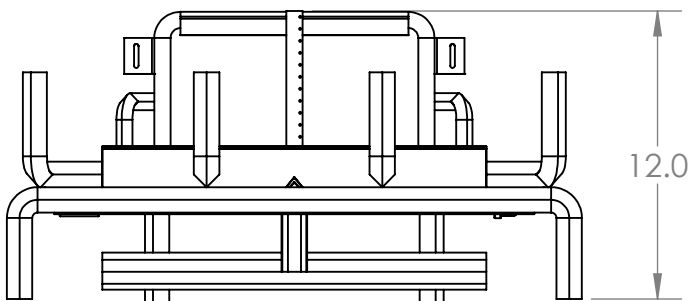
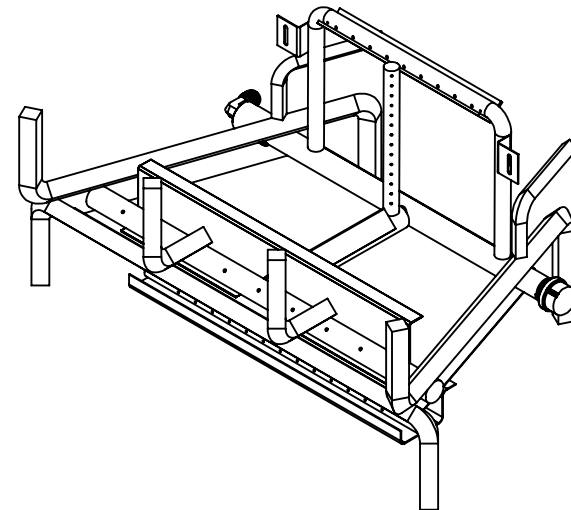
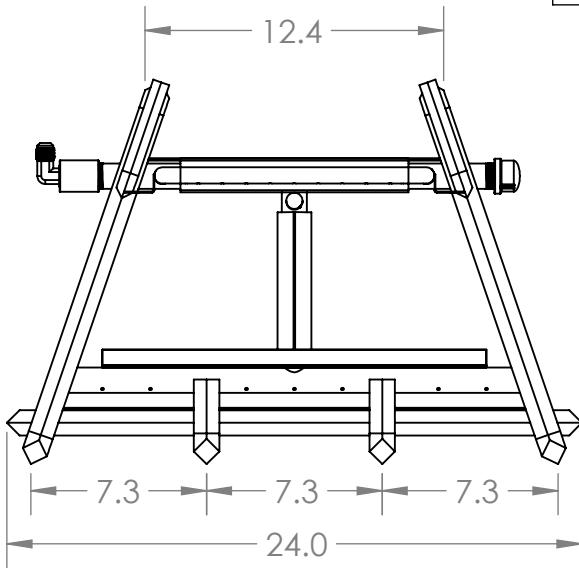


2

1

REVISIONS			
REV.	DESCRIPTION	DATE	APPROVED
A	RELEASED FOR PRODUCTION	8/1/22	



B

B

A

A

BRANDED: GRAND CANYON GAS LOGS  
MODEL #: JUMBOSLIMBRNR-24



UNLESS OTHERWISE SPECIFIED:	NAME	DATE
DIMENSIONS ARE IN INCHES	DRAWN	RG 8/2/22
TOLERANCES:	CHECKED	DF 8/1/22
BEND +2/-0	ENG APPR.	
ONE PLACE DECIMAL ±.125	MFG APPR.	
TWO PLACE DECIMAL ±.0625	Q.A.	
INTERPRET GEOMETRIC TOLERANCING PER:	<b>PROPRIETARY AND CONFIDENTIAL</b> THE INFORMATION CONTAINED IN THIS DRAWING IS THE SOLE PROPERTY OF RICHARDSON'S PRODUCT GROUP. ANY REPRODUCTION IN PART OR AS A WHOLE WITHOUT THE WRITTEN PERMISSION OF RICHARDSON'S PRODUCT GROUP IS PROHIBITED.	
MATERIAL		
FINISH	SEE NOTE	
DO NOT SCALE DRAWING		

**RPG BRANDS**

TITLE:  
JUMBOSLIMBRNR-24

SIZE	DWG. NO.	REV
<b>A</b>	02-00680	A
SCALE: 1:8	WEIGHT:	SHEET 1 OF 1

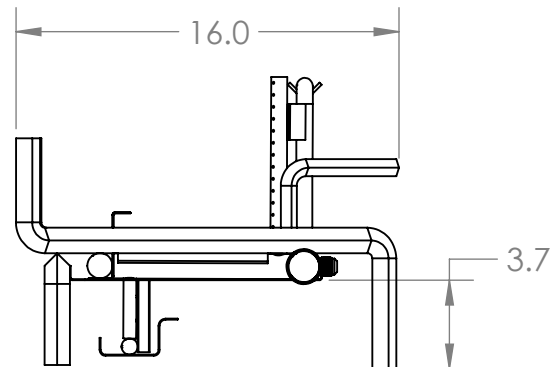
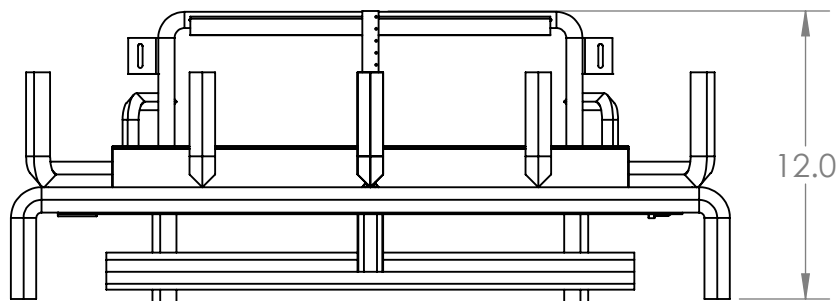
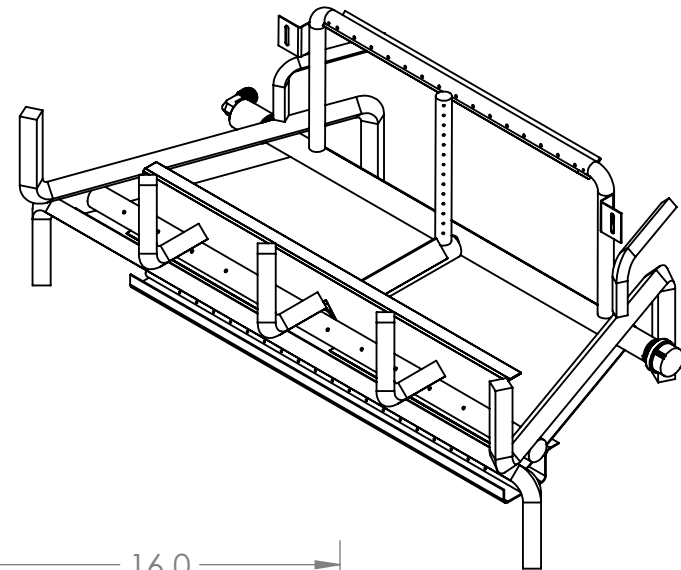
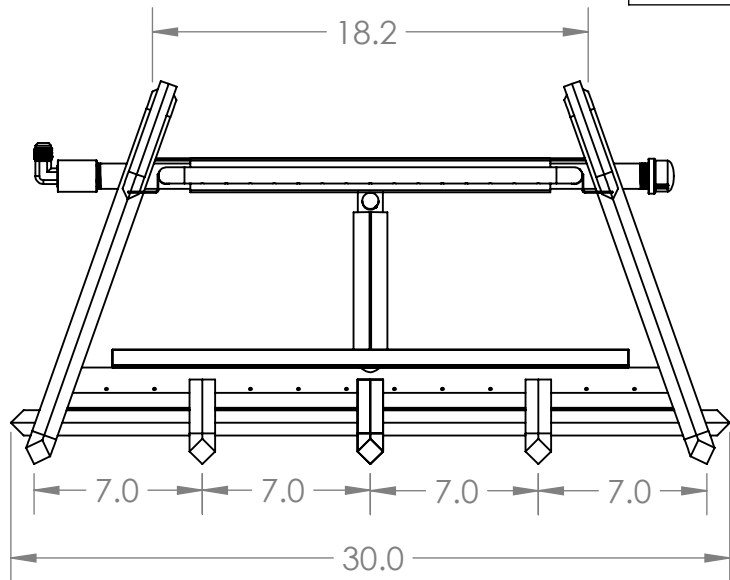
2

1

2

1

REVISIONS			
REV.	DESCRIPTION	DATE	APPROVED
A	RELEASED FOR PRODUCTION	8/1/22	



B

B

A

A

BRANDED: GRAND CANYON GAS LOGS  
MODEL #: JUMBOSLIMBRNR-30



UNLESS OTHERWISE SPECIFIED:

DIMENSIONS ARE IN INCHES  
TOLERANCES:  
BEND +2/-0  
ONE PLACE DECIMAL ±.125  
TWO PLACE DECIMAL ±.0625

INTERPRET GEOMETRIC  
TOLERANCING PER:

MATERIAL

FINISH

SEE NOTE

DO NOT SCALE DRAWING

NAME	DATE
DRAWN RG	8/2/22
CHECKED DF	8/1/22
ENG APPR.	
MFG APPR.	
Q.A.	

PROPRIETARY AND CONFIDENTIAL  
THE INFORMATION CONTAINED IN  
THIS DRAWING IS THE SOLE PROPERTY  
OF RICHARDSON'S PRODUCT  
GROUP. ANY REPRODUCTION IN  
PART OR AS A WHOLE WITHOUT THE  
WRITTEN PERMISSION OF  
RICHARDSON'S PRODUCT GROUP IS  
PROHIBITED.

**RPG BRANDS**

TITLE:

JUMBOSLIMBRNR-30

SIZE	DWG. NO.	REV
<b>A</b>	02-00681	A

SCALE: 1:8	WEIGHT:	SHEET 1 OF 1

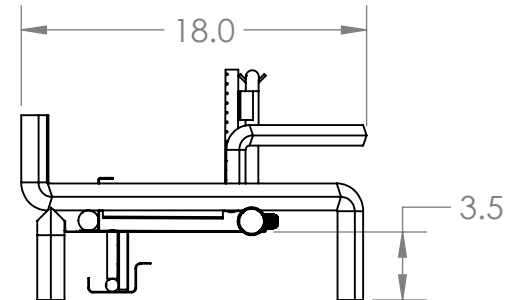
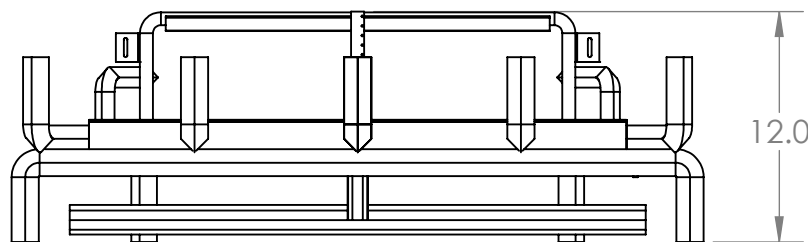
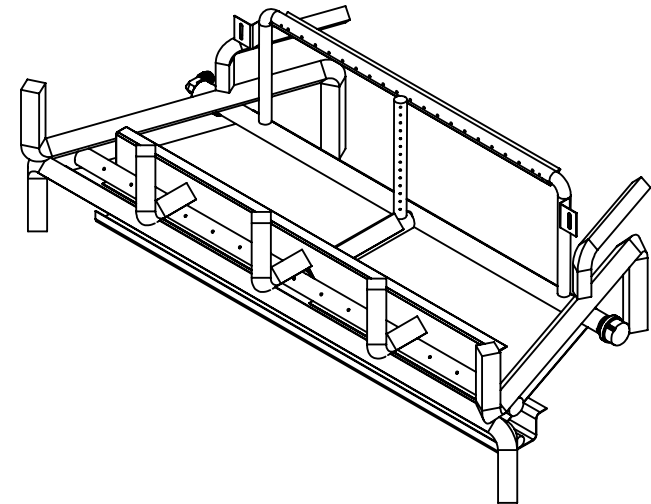
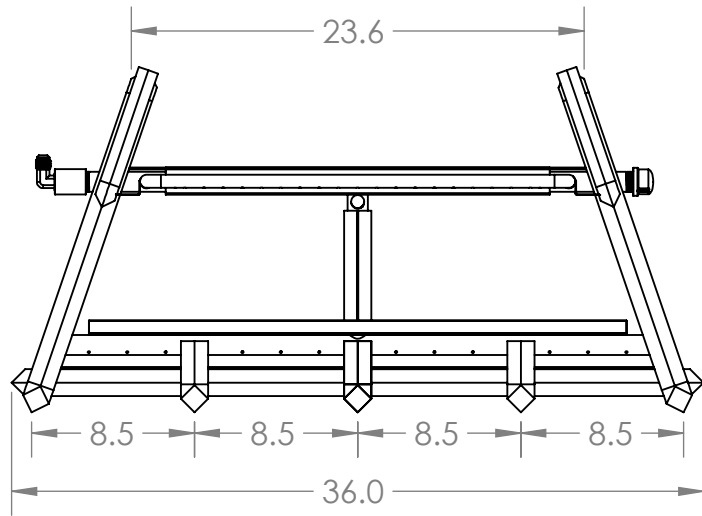
2

1

2

1

REVISIONS			
REV.	DESCRIPTION	DATE	APPROVED
A	RELEASED FOR PRODUCTION	8/1/22	



BRANDED: GRAND CANYON GAS LOGS  
 MODEL #: JUMBOSLIMBRNR-36



UNLESS OTHERWISE SPECIFIED:	NAME	DATE
DIMENSIONS ARE IN INCHES	DRAWN	RG 8/2/22
TOLERANCES:	CHECKED	DF 8/1/22
BEND +2/-0	ENG APPR.	
ONE PLACE DECIMAL ±.125	MFG APPR.	
TWO PLACE DECIMAL ±.0625	Q.A.	
INTERPRET GEOMETRIC TOLERANCING PER:	<b>PROPRIETARY AND CONFIDENTIAL</b> THE INFORMATION CONTAINED IN THIS DRAWING IS THE SOLE PROPERTY OF RICHARDSON'S PRODUCT GROUP. ANY REPRODUCTION IN PART OR AS A WHOLE WITHOUT THE WRITTEN PERMISSION OF RICHARDSON'S PRODUCT GROUP IS PROHIBITED.	
MATERIAL		
FINISH	SEE NOTE	
DO NOT SCALE DRAWING		

<b>RPG BRANDS</b>		
TITLE: JUMBOSLIMBRNR-36		
SIZE	DWG. NO.	REV
<b>A</b>	02-00682	A
SCALE: 1:10 WEIGHT:		SHEET 1 OF 1

B

B

A

A

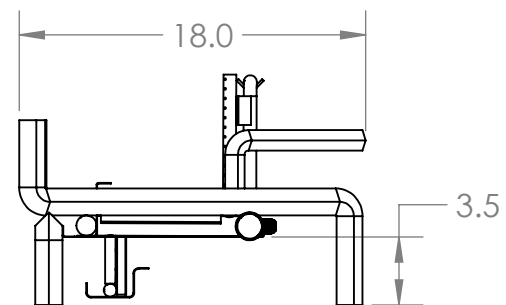
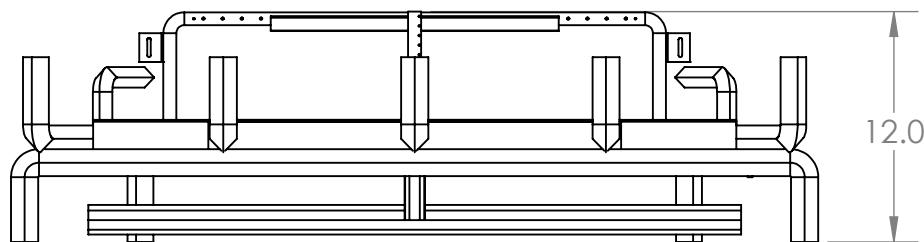
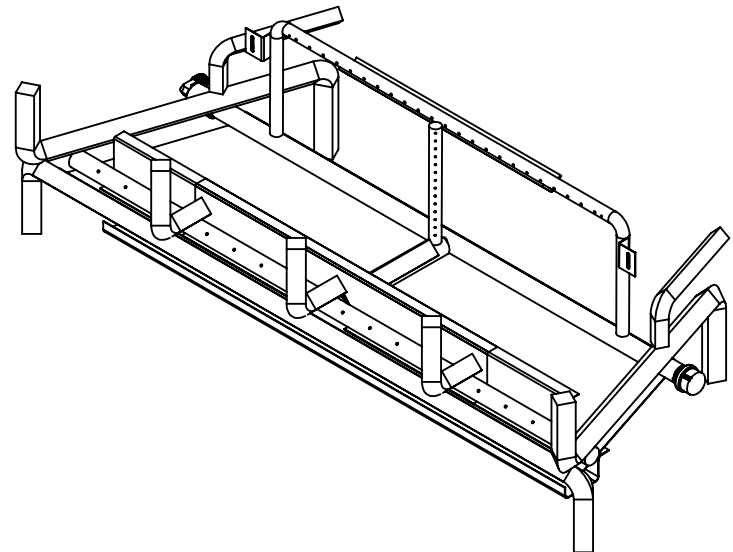
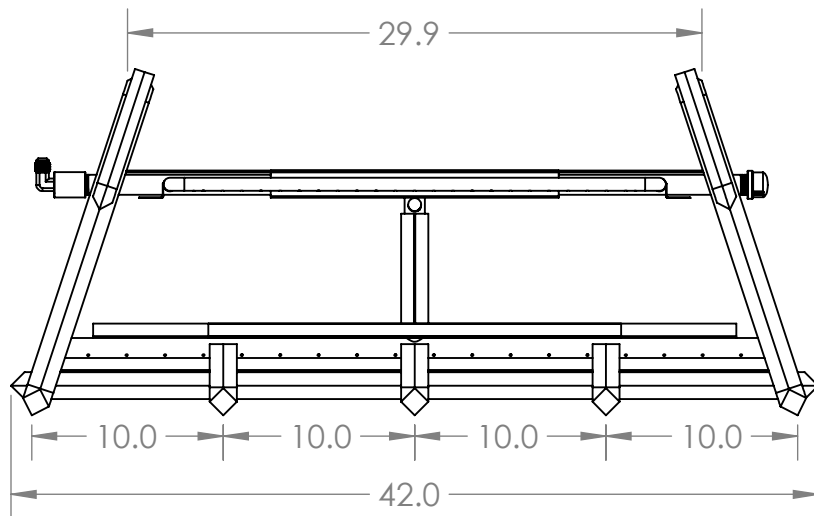
2

1

2

1

REVISIONS			
REV.	DESCRIPTION	DATE	APPROVED
A	RELEASED FOR PRODUCTION	8/1/22	



BRANDED: GRAND CANYON GAS LOGS  
MODEL #: JUMBOSLIMBRNR-42



UNLESS OTHERWISE SPECIFIED:

DIMENSIONS ARE IN INCHES  
TOLERANCES:  
BEND +2/-0  
ONE PLACE DECIMAL ±.125  
TWO PLACE DECIMAL ±.0625

INTERPRET GEOMETRIC TOLERANCING PER:

MATERIAL

FINISH SEE NOTE

DO NOT SCALE DRAWING

	NAME	DATE
DRAWN	RG	8/2/22
CHECKED	DF	8/1/22
ENG APPR.		
MFG APPR.		
Q.A.		

**PROPRIETARY AND CONFIDENTIAL**  
THE INFORMATION CONTAINED IN THIS DRAWING IS THE SOLE PROPERTY OF RICHARDSON'S PRODUCT GROUP. ANY REPRODUCTION IN PART OR AS A WHOLE WITHOUT THE WRITTEN PERMISSION OF RICHARDSON'S PRODUCT GROUP IS PROHIBITED.

**RPG BRANDS**

TITLE:

JUMBOSLIMBRNR-42

SIZE	DWG. NO.	REV
<b>A</b>	02-00683	A

SCALE: 1:10 WEIGHT: SHEET 1 OF 1

2

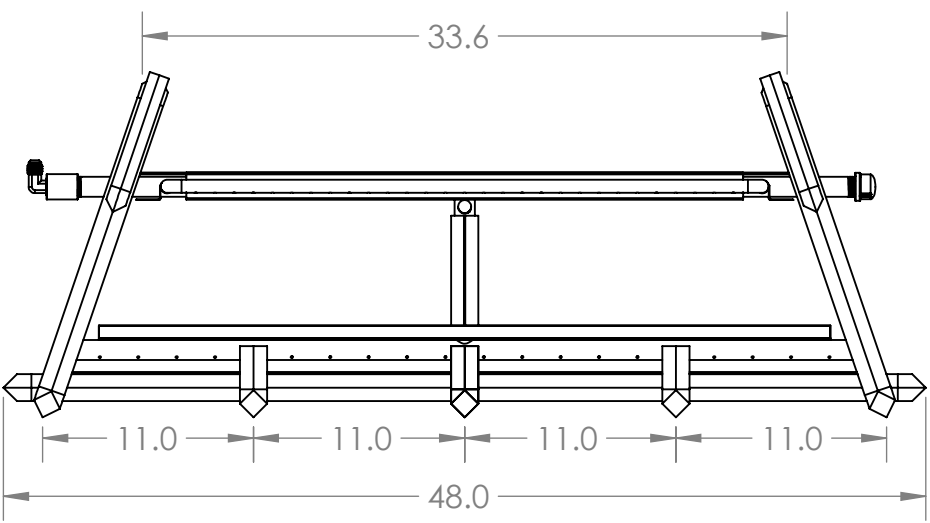
1

2

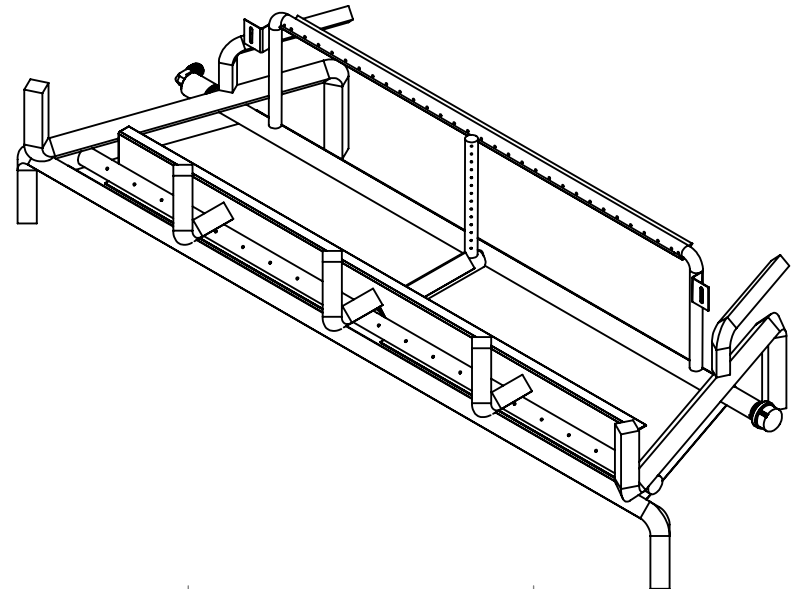
1

REVISIONS			
REV.	DESCRIPTION	DATE	APPROVED
A	RELEASED FOR PRODUCTION	8/1/22	

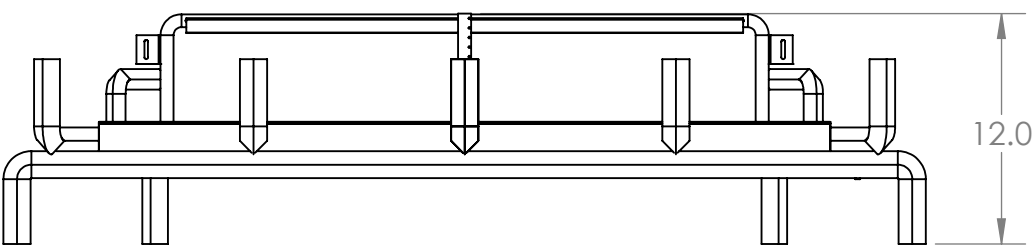
B



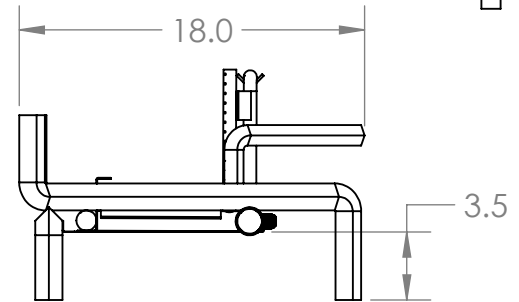
B



A



A



BRANDED: GRAND CANYON GAS LOGS  
MODEL #: JUMBOSLIMBRNR-48



UNLESS OTHERWISE SPECIFIED:		NAME	DATE	<b>RPG BRANDS</b>			
DIMENSIONS ARE IN INCHES		DRAWN	RG			8/2/22	
TOLERANCES:		CHECKED	DF	8/1/22	TITLE:  JUMBOSLIMBRNR-48		
BEND +2/-0		ENG APPR.					
ONE PLACE DECIMAL ±.125		MFG APPR.					
TWO PLACE DECIMAL ±.0625		Q.A.					
INTERPRET GEOMETRIC TOLERANCING PER:		<b>PROPRIETARY AND CONFIDENTIAL</b> THE INFORMATION CONTAINED IN THIS DRAWING IS THE SOLE PROPERTY OF RICHARDSON'S PRODUCT GROUP. ANY REPRODUCTION IN PART OR AS A WHOLE WITHOUT THE WRITTEN PERMISSION OF RICHARDSON'S PRODUCT GROUP IS PROHIBITED.			SIZE	DWG. NO.	REV
MATERIAL					<b>A</b>	02-00684	A
FINISH					SCALE: 1:10 WEIGHT:		SHEET 1 OF 1
SEE NOTE		DO NOT SCALE DRAWING					

2

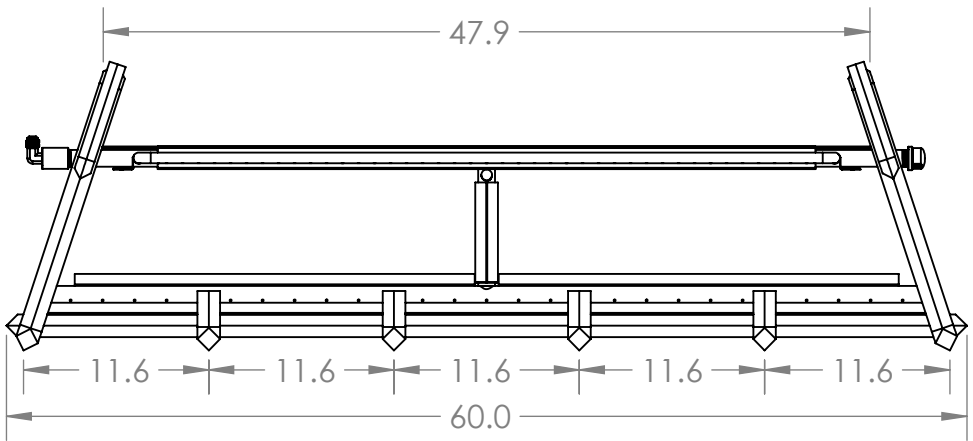
1

2

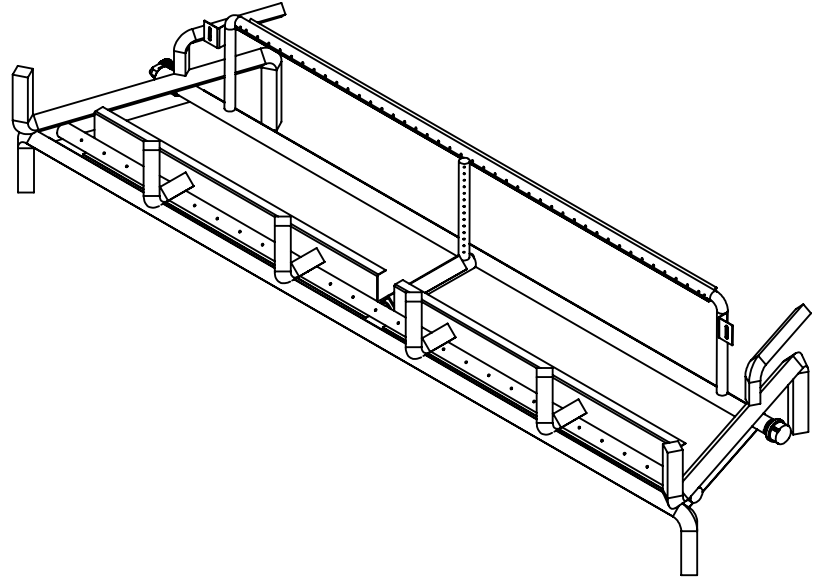
1

REVISIONS			
REV.	DESCRIPTION	DATE	APPROVED
A	RELEASED FOR PRODUCTION	8/1/22	

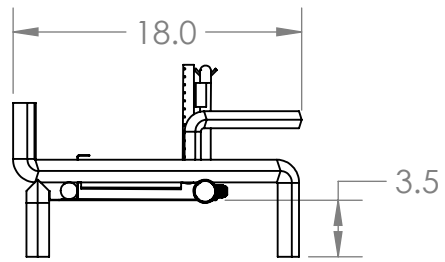
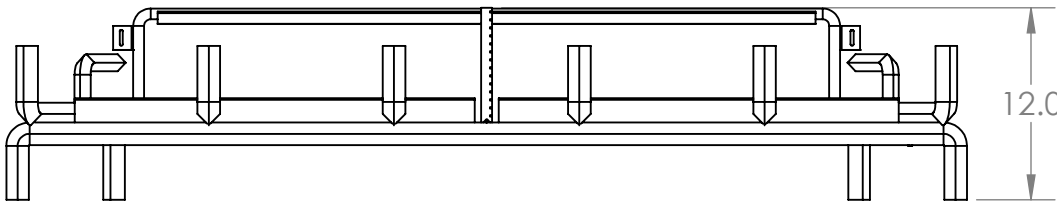
B



B



A



A

BRANDED: GRAND CANYON GAS LOGS  
MODEL #: JUMBOSLIMBRNR-60



UNLESS OTHERWISE SPECIFIED:

DIMENSIONS ARE IN INCHES  
TOLERANCES:  
BEND +2/-0  
ONE PLACE DECIMAL ±.125  
TWO PLACE DECIMAL ±.0625

INTERPRET GEOMETRIC TOLERANCING PER:

MATERIAL

FINISH

DO NOT SCALE DRAWING

	NAME	DATE
DRAWN	RG	8/2/22
CHECKED	DF	8/1/22
ENG APPR.		
MFG APPR.		
Q.A.		

**PROPRIETARY AND CONFIDENTIAL**  
THE INFORMATION CONTAINED IN THIS DRAWING IS THE SOLE PROPERTY OF RICHARDSON'S PRODUCT GROUP. ANY REPRODUCTION IN PART OR AS A WHOLE WITHOUT THE WRITTEN PERMISSION OF RICHARDSON'S PRODUCT GROUP IS PROHIBITED.

**RPG BRANDS**

TITLE:  
JUMBOSLIMBRNR-60

SIZE	DWG. NO.	REV
<b>A</b>	02-00685	A

SCALE: 1:12 WEIGHT: SHEET 1 OF 1

2

1