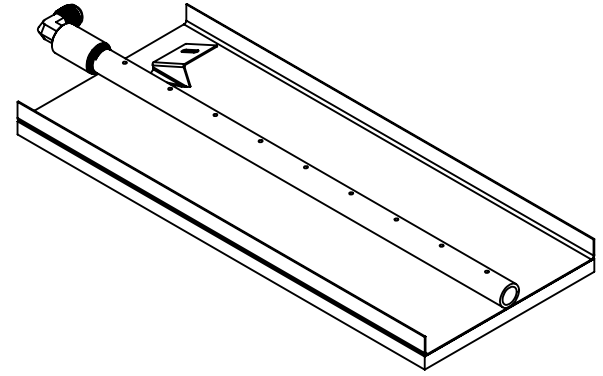
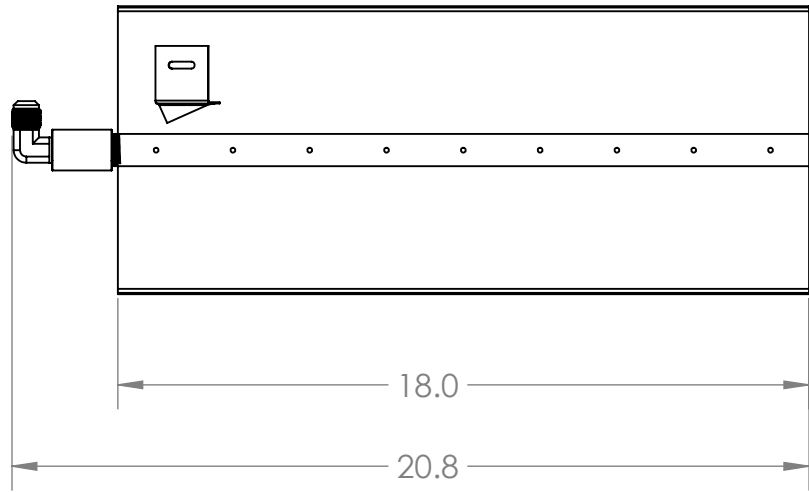


2

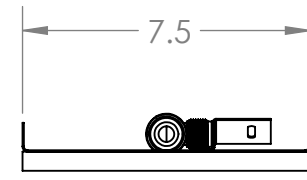
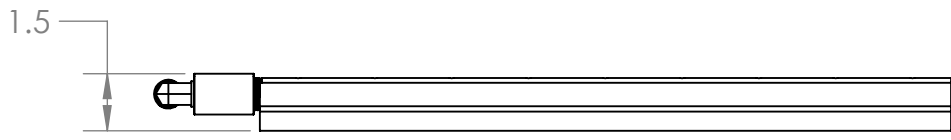
1

REVISIONS			
REV.	DESCRIPTION	DATE	APPROVED
A	RELEASED FOR PRODUCTION	8/9/22	

B



B



A

BRANDED: GRAND CANYON GAS LOGS
 MODEL #: GLASSBRN-18/8-T



UNLESS OTHERWISE SPECIFIED:	NAME	DATE
DIMENSIONS ARE IN INCHES	DRAWN	RG 8/2/22
TOLERANCES:	CHECKED	DF 8/10/22
BEND +2/-0	ENG APPR.	
ONE PLACE DECIMAL ±.125	MFG APPR.	
TWO PLACE DECIMAL ±.0625	Q.A.	
INTERPRET GEOMETRIC TOLERANCING PER:	PROPRIETARY AND CONFIDENTIAL THE INFORMATION CONTAINED IN THIS DRAWING IS THE SOLE PROPERTY OF RICHARDSON'S PRODUCT GROUP. ANY REPRODUCTION IN PART OR AS A WHOLE WITHOUT THE WRITTEN PERMISSION OF RICHARDSON'S PRODUCT GROUP IS PROHIBITED.	
MATERIAL		
FINISH		
DO NOT SCALE DRAWING		

RPG BRANDS

TITLE:
 GLASSBRN-18/8-T

SIZE	DWG. NO.	REV
A	02-00704	A
SCALE: 1:5	WEIGHT:	SHEET 1 OF 1

A

2

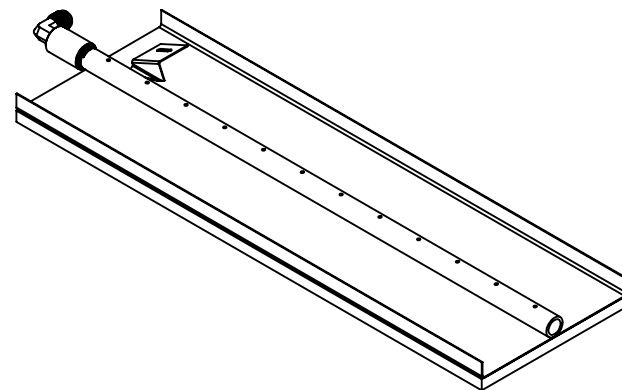
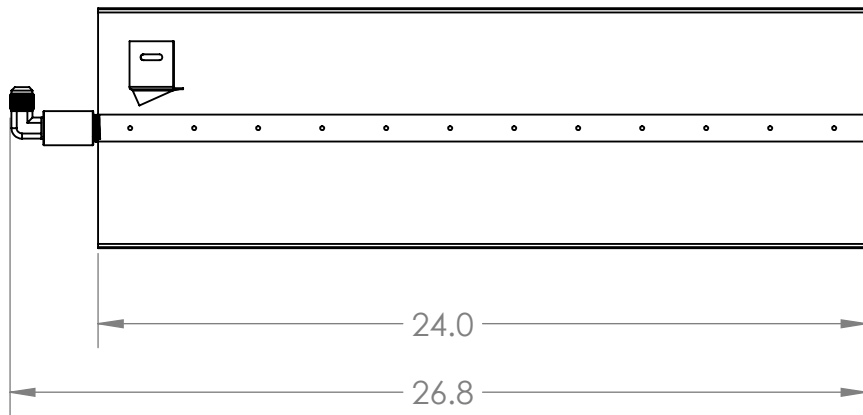
1

2

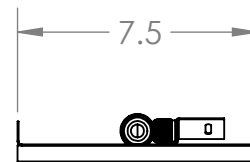
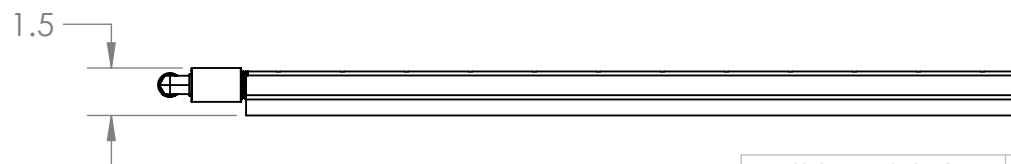
1

REVISIONS			
REV.	DESCRIPTION	DATE	APPROVED
A	RELEASED FOR PRODUCTION	8/9/22	

B



B



A

BRANDED: GRAND CANYON GAS LOGS
 MODEL #: GLASSBRN-24/8-T



UNLESS OTHERWISE SPECIFIED:	NAME	DATE
DIMENSIONS ARE IN INCHES	DRAWN RG	8/2/22
TOLERANCES:	CHECKED DF	8/10/22
BEND +2/-0	ENG APPR.	
ONE PLACE DECIMAL ±.125	MFG APPR.	
TWO PLACE DECIMAL ±.0625	Q.A.	
INTERPRET GEOMETRIC TOLERANCING PER:	PROPRIETARY AND CONFIDENTIAL THE INFORMATION CONTAINED IN THIS DRAWING IS THE SOLE PROPERTY OF RICHARDSON'S PRODUCT GROUP. ANY REPRODUCTION IN PART OR AS A WHOLE WITHOUT THE WRITTEN PERMISSION OF RICHARDSON'S PRODUCT GROUP IS PROHIBITED.	
MATERIAL		
FINISH		
DO NOT SCALE DRAWING		

RPG BRANDS

TITLE:
 GLASSBRN-24/8-T

SIZE	DWG. NO.	REV
A	02-00705	A
SCALE: 1:6	WEIGHT:	SHEET 1 OF 1

A

2

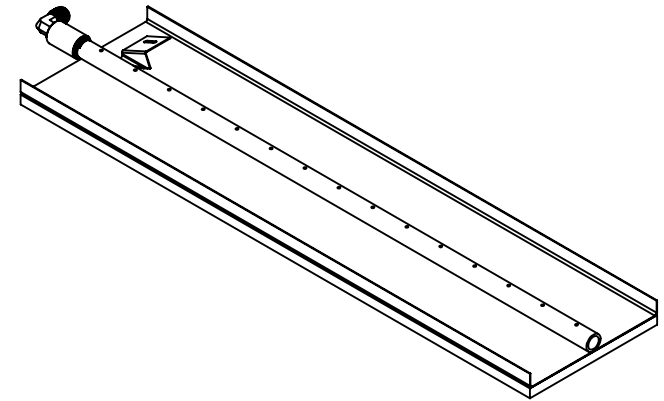
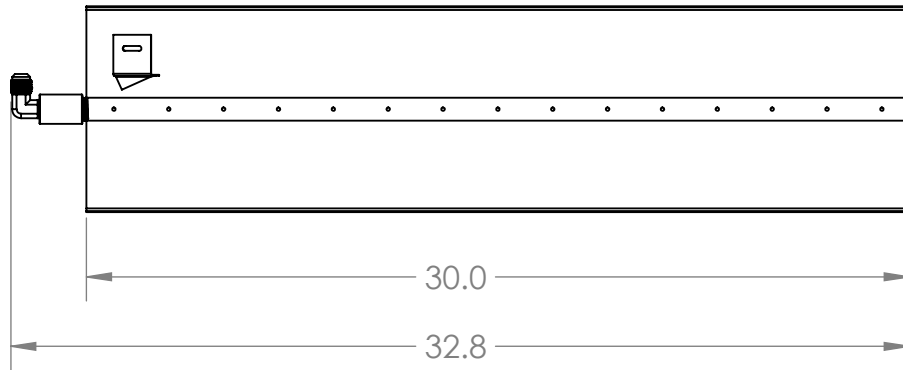
1

2

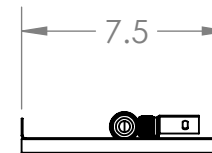
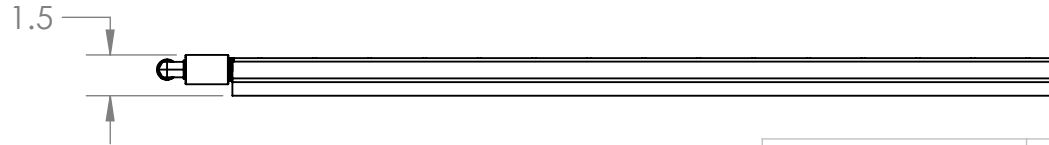
1

REVISIONS			
REV.	DESCRIPTION	DATE	APPROVED
A	RELEASED FOR PRODUCTION	8/9/22	

B



B



A

BRANDED: GRAND CANYON GAS LOGS
 MODEL #: GLASSBRN-30/8-T



UNLESS OTHERWISE SPECIFIED:	NAME	DATE
DIMENSIONS ARE IN INCHES	DRAWN RG	8/2/22
TOLERANCES:	CHECKED DF	8/10/22
BEND +2/-0	ENG APPR.	
ONE PLACE DECIMAL ±.125	MFG APPR.	
TWO PLACE DECIMAL ±.0625	Q.A.	
INTERPRET GEOMETRIC TOLERANCING PER:	PROPRIETARY AND CONFIDENTIAL THE INFORMATION CONTAINED IN THIS DRAWING IS THE SOLE PROPERTY OF RICHARDSON'S PRODUCT GROUP. ANY REPRODUCTION IN PART OR AS A WHOLE WITHOUT THE WRITTEN PERMISSION OF RICHARDSON'S PRODUCT GROUP IS PROHIBITED.	
MATERIAL		
FINISH		
DO NOT SCALE DRAWING		

RPG BRANDS

TITLE:
 GLASSBRN-30/8-T

SIZE	DWG. NO.	REV
A	02-00706	A
SCALE: 1:7	WEIGHT:	SHEET 1 OF 1

A

2

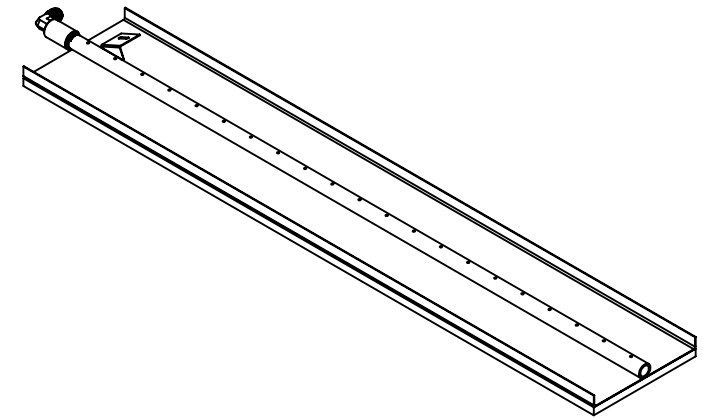
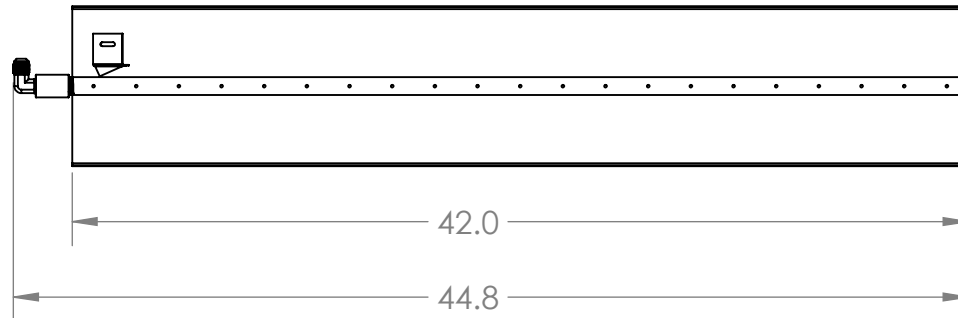
1

2

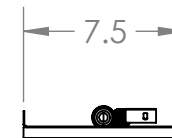
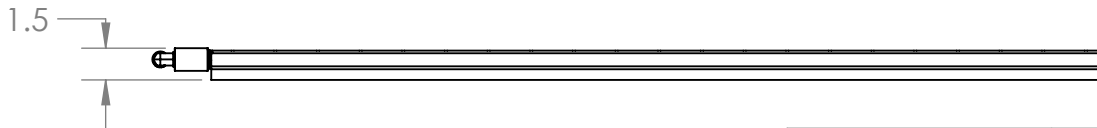
1

REVISIONS			
REV.	DESCRIPTION	DATE	APPROVED
A	RELEASED FOR PRODUCTION	8/9/22	

B



B



A

BRANDED: GRAND CANYON GAS LOGS
 MODEL #: GLASSBRN-42/8-T



UNLESS OTHERWISE SPECIFIED:		NAME	DATE	RPG BRANDS TITLE: GLASSBRN-42/8-T	
DIMENSIONS ARE IN INCHES		DRAWN	RG		8/2/22
TOLERANCES: BEND +2/-0		CHECKED	DF		8/10/22
ONE PLACE DECIMAL ±.125		ENG APPR.			
TWO PLACE DECIMAL ±.0625		MFG APPR.			
INTERPRET GEOMETRIC TOLERANCING PER:		Q.A.			
MATERIAL		PROPRIETARY AND CONFIDENTIAL THE INFORMATION CONTAINED IN THIS DRAWING IS THE SOLE PROPERTY OF RICHARDSON'S PRODUCT GROUP. ANY REPRODUCTION IN PART OR AS A WHOLE WITHOUT THE WRITTEN PERMISSION OF RICHARDSON'S PRODUCT GROUP IS PROHIBITED.			
FINISH		SIZE	DWG. NO.	REV	
DO NOT SCALE DRAWING		A	02-00708	A	
		SCALE: 1:9	WEIGHT:	SHEET 1 OF 1	

A

2

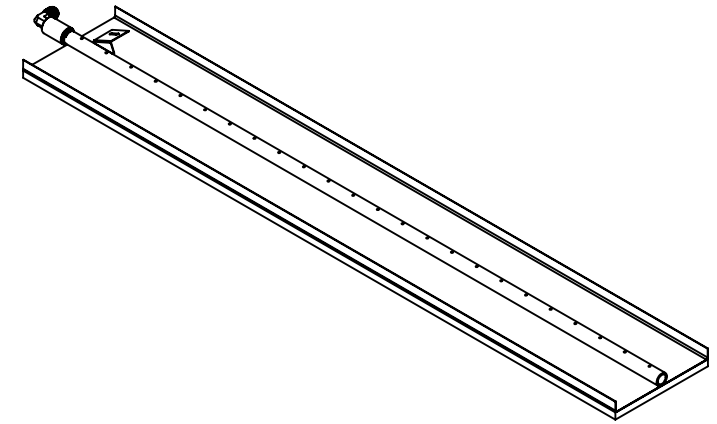
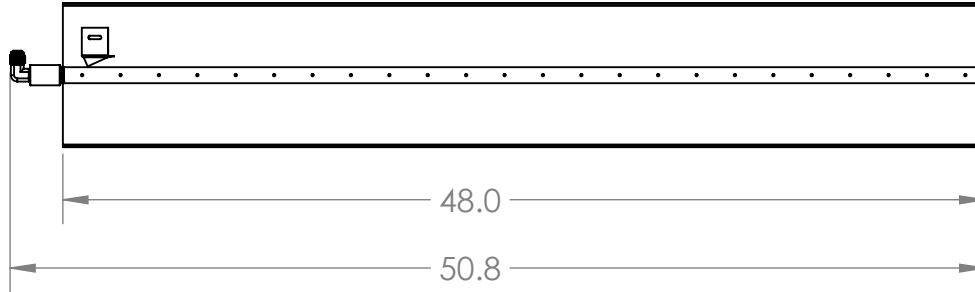
1

2

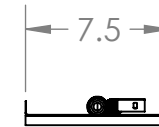
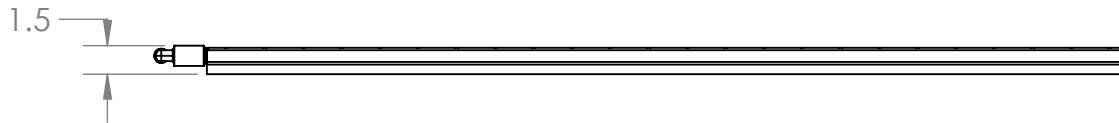
1

REVISIONS			
REV.	DESCRIPTION	DATE	APPROVED
A	RELEASED FOR PRODUCTION	8/9/22	

B



B



A

BRANDED: GRAND CANYON GAS LOGS
 MODEL #: GLASSBRN-48/8-T



UNLESS OTHERWISE SPECIFIED:		NAME	DATE	RPG BRANDS			
DIMENSIONS ARE IN INCHES		DRAWN	RG			8/2/22	
TOLERANCES: BEND +2/-0		CHECKED	DF			8/10/22	
ONE PLACE DECIMAL ±.125 TWO PLACE DECIMAL ±.0625		ENG APPR.					
INTERPRET GEOMETRIC TOLERANCING PER:		MFG APPR.			TITLE: GLASSBRN-48/8-T		
MATERIAL		Q.A.					
FINISH		PROPRIETARY AND CONFIDENTIAL THE INFORMATION CONTAINED IN THIS DRAWING IS THE SOLE PROPERTY OF RICHARDSON'S PRODUCT GROUP. ANY REPRODUCTION IN PART OR AS A WHOLE WITHOUT THE WRITTEN PERMISSION OF RICHARDSON'S PRODUCT GROUP IS PROHIBITED.			SIZE	DWG. NO.	REV
DO NOT SCALE DRAWING					A	02-00709	A
		SCALE: 1:10		WEIGHT:	SHEET 1 OF 1		

A

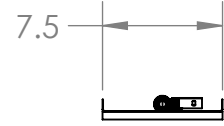
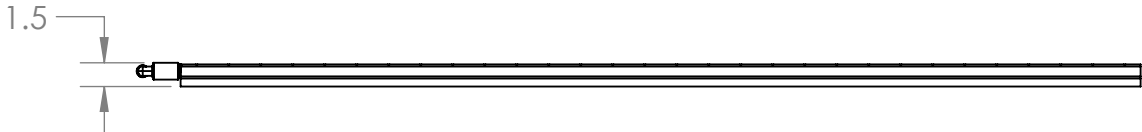
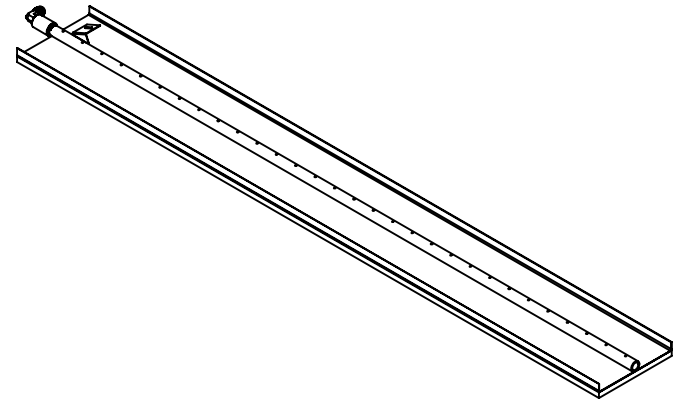
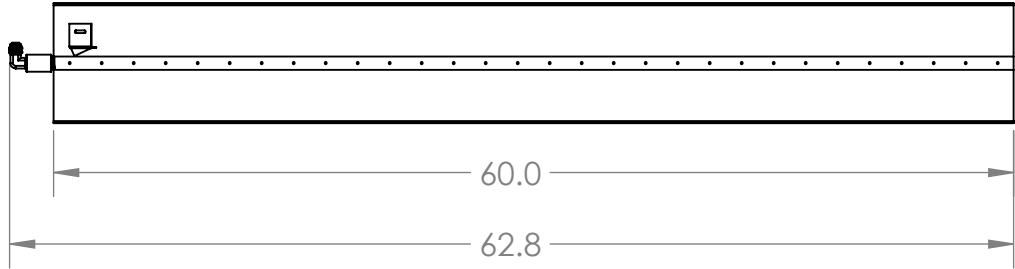
2

1

2

1

REVISIONS			
REV.	DESCRIPTION	DATE	APPROVED
A	RELEASED FOR PRODUCTION	8/9/22	



BRANDED: GRAND CANYON GAS LOGS
 MODEL #: GLASSBRN-60/8-T



UNLESS OTHERWISE SPECIFIED:	NAME	DATE
DIMENSIONS ARE IN INCHES	DRAWN RG	8/2/22
TOLERANCES:	CHECKED DF	8/10/22
BEND +2/-0	ENG APPR.	
ONE PLACE DECIMAL ±.125	MFG APPR.	
TWO PLACE DECIMAL ±.0625	Q.A.	
INTERPRET GEOMETRIC TOLERANCING PER:	PROPRIETARY AND CONFIDENTIAL THE INFORMATION CONTAINED IN THIS DRAWING IS THE SOLE PROPERTY OF RICHARDSON'S PRODUCT GROUP. ANY REPRODUCTION IN PART OR AS A WHOLE WITHOUT THE WRITTEN PERMISSION OF RICHARDSON'S PRODUCT GROUP IS PROHIBITED.	
MATERIAL		
FINISH		
DO NOT SCALE DRAWING		

RPG BRANDS		
TITLE: GLASSBRN-60/8-T		
SIZE A	DWG. NO. 02-00710	REV A
SCALE: 1:12 WEIGHT:		SHEET 1 OF 1

B

B

A

A

2

1

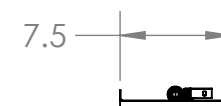
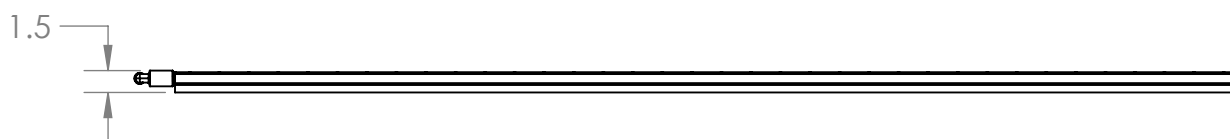
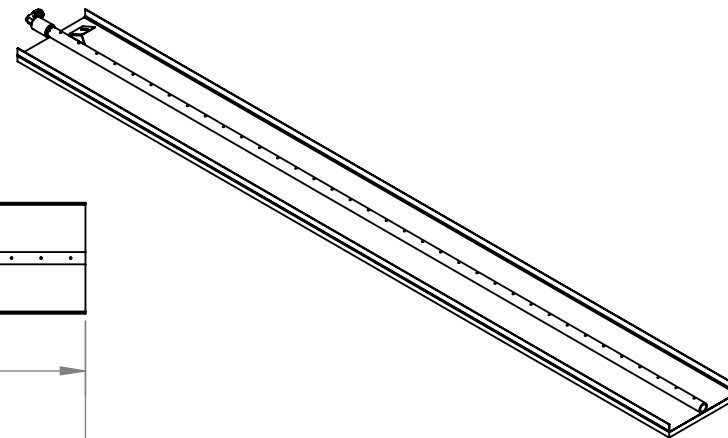
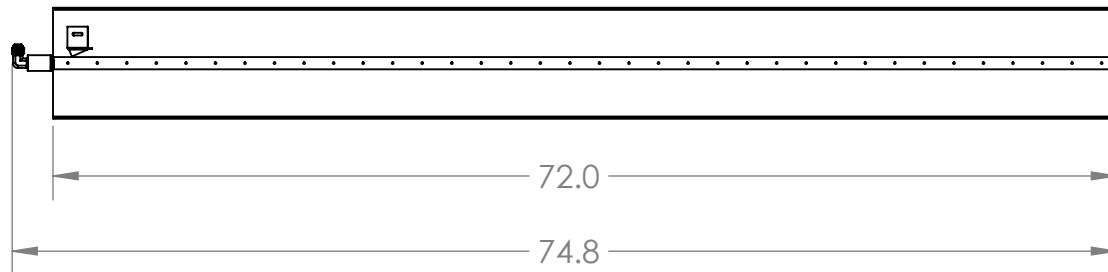
2

1

REVISIONS			
REV.	DESCRIPTION	DATE	APPROVED
A	RELEASED FOR PRODUCTION	8/9/22	

B

B



A

A

BRANDED: GRAND CANYON GAS LOGS
 MODEL #: GLASSBRN-72/8-T



UNLESS OTHERWISE SPECIFIED:	NAME	DATE
DIMENSIONS ARE IN INCHES	DRAWN RG	8/2/22
TOLERANCES:	CHECKED DF	8/10/22
BEND +2/-0	ENG APPR.	
ONE PLACE DECIMAL ±.125	MFG APPR.	
TWO PLACE DECIMAL ±.0625	Q.A.	
INTERPRET GEOMETRIC TOLERANCING PER:	PROPRIETARY AND CONFIDENTIAL THE INFORMATION CONTAINED IN THIS DRAWING IS THE SOLE PROPERTY OF RICHARDSON'S PRODUCT GROUP. ANY REPRODUCTION IN PART OR AS A WHOLE WITHOUT THE WRITTEN PERMISSION OF RICHARDSON'S PRODUCT GROUP IS PROHIBITED.	
MATERIAL		
FINISH		
DO NOT SCALE DRAWING		

RPG BRANDS

TITLE:
 GLASSBRN-72/8-T

SIZE	DWG. NO.	REV
A	02-00711	A
SCALE: 1:13	WEIGHT:	SHEET 1 OF 1

2

1