



**INSTALLATION AND OPERATIONS GUIDE FOR
LINEAR BURNER SYSTEMS**

Installation and service must be provided by a qualified installer, service agency or gas supplier

WARNING: If the information in this manual is not followed exactly, a fire or explosion may result, causing property damage, personal injury or loss of life

- Do not store or use gasoline or other flammable vapors and liquids in the vicinity of this or any application

WHAT TO DO IF YOU SMELL GAS

- Do not try to light any appliance
- Do not touch any electrical switch; do not use any phone in the building
- Immediately call the gas supplier from a neighbor's phone. Follow the gas supplier's instructions
- If you cannot reach the gas supplier, call the fire department.
- Installation and service must be performed by a qualified installer, service agency or the gas supplier

Grand Canyon Gas Log sets are to be installed only in a solid-fuel burning fireplace with working flue and construction of noncombustible material. The installation including provisions for combustion and ventilation air must conform with the *National Fuel Gas Code*, ANSI Z223.1/NFPA 54, or the CSA B149.1 Natural Gas and Propane Installation Code, and applicable local building codes.

A damper clamp is included to maintain the minimum permanent vent opening and to prevent full closure of the damper blade. The chimney damper must be fully opened when burning the log set. The log set is designed to burn with a yellow flame, thus adequate ventilation is absolutely necessary.

To comply with certifications, listings, and building code acceptances, and for safe operation and proper performance of this log set, use only Grand Canyon Gas Logs parts and accessories. Use of other controls, parts, and accessories that are not designed for use with Grand Canyon Gas Logs log set is prohibited and will void all the warranties, certifications, listings and building code approvals, and may cause property damage, personal injury or loss of life.

WARRANTY

Grand Canyon Gas Logs burners and logs carry a lifetime warranty against breakage and defects to the original purchaser. ALL GCVL valves, pilot assemblies and electrical components carry a 2-year warranty as long as installed indoors and installed by a licensed professional. Further warranty information can be found in the warranty section of this guide.

INSTALLER: Leave this manual with the log set
CONSUMER: Retain this manual for future reference.

IMPORTANT INFORMATION

WARNING: This appliance assembly contains burner orifices specifically for the input gas specified on the burner and box, as well as the Btu rating specified in this manual. Modifying or failure to use the factory orifice may cause property damage, personal injury or loss of life.

Read these instructions completely before installing and using Grand Canyon Gas Log system.

1. Gas type will be indicated on the burner and the box. Do not use a natural gas burner with propane or a propane burner with natural gas.
2. The installation, provisions for combustion, and ventilation air must conform to the National Fuel Gas Code, *ANSI Z223.1/NFPA54*, or the *CSA B 149.1*, National Gas and Propane Installation Code.
3. For warranty to be valid gas log sets must be installed by a NFI certified or another qualified professional installer.
4. This appliance must be installed only in a solid-fuel burning fireplace with a working flue and constructed of non-combustible materials. Solid fuels are not to be burned in a fireplace where a decorative appliance has been installed.
5. A permanent free opening must be provided by either the fireplace chimney or chimney damper to vent carbon monoxide and other flue gases. Any chimney damper must be fixed in a manner, which will maintain the permanent free opening at all times. Use the table at the bottom of this page to determine the minimum permanent free opening based on chimney height and the appliance Btu rating.
6. A fireplace screen must be in place when the appliance is operating and, unless other provisions for combustion air are provided, the screen shall have an opening(s) for introduction of combustion air. With use of glass doors, doors must be open while the appliance is burning to assure proper ventilation.
7. The minimum inlet supply pressure for the purpose of input adjustment is 5.0 inches (natural gas) 8.0 inches (propane) in water column. The maximum inlet supply pressure is 10.5 inches (natural gas) 13.0 inches (propane) in water column.
8. The appliance and its individual shut-off valve must be disconnected from the gas supply piping system during any pressure testing of that system at test pressures in excess of ½ psig (3.5kPa). The appliance must be isolated from the gas supply piping system by closing its individual manual valve during pressure testing equal to or less than ½ psig (3.5kPa).
9. The appliance area is to be clear and free from combustible materials, gasoline and other flammable vapors and liquids.
10. Do not use this appliance if any part has been under water. Immediately call a qualified service technician to inspect the appliance and to replace any gas control which has been under water.

BURNER SPECIFICATIONS

PART #	BURNER SIZE			MINIMUM FIREPLACE DIMENSIONS			BTU/HR
	L	W	H	L	W	H	
LINEARBRBR-24	24	6	6	26	7	12	22,500
LINEARBRBR-30	30	6	6	32	7	12	25,250
LINEARBRBR-36	36	6	6	38	7	12	34,000
LINEARBRBR-42	42	6	6	44	7	12	39,600
LINEARBRBR-48	48	6	6	50	7	12	44,350
LINEARBRBR-60	60	6	6	62	7	12	56,175
LINEARBRBR-72	72	6	6	74	7	12	68,000
LINEARBRBR-24-LP	24	6	6	26	7	12	20,500
LINEARBRBR-30-LP	30	6	6	32	7	12	31,000
LINEARBRBR-36-LP	36	6	6	38	7	12	37,750
LINEARBRBR-42-LP	42	6	6	44	7	12	43,800
LINEARBRBR-48-LP	48	6	6	50	7	12	49,000
LINEARBRBR-60-LP	60	6	6	62	7	12	62,250
LINEARBRBR-72-LP	72	6	6	74	7	12	75,500

BOX CONTENTS

1. Linear Burner
2. Lava Rock (May be substituted for Glass)
3. Glowing Embers
4. Whistle Free Flex Line*
5. Damper Clamp
6. Remote
7. 6V AC Adaptor (Not Shown, Optional)

*the fittings & gas lines supplied are what the factory considers a normal installation. Some installation may require additional fittings or longer flex line that can be purchased at a hardware store



INSTALLATION INSTRUCTIONS

1. Attach damper clamp to the fireplace damper to prevent the damper from being fully closed
2. Position the burner on the fireplace floor centering the burner side to side and front to back.
3. Attach whistle free gas supply line to the burner assembly. Use soapy water to check connections for leaks. (Figure 1.1)
4. Fill the burner trough with rock wool, tear the rock wool in the smallest pieces as possible as this gives the best ember glow. Crushed Fireglass can be substituted for rock wool. LP versions must use vermiculite as the base media then cover vermiculite with rock wool or Fireglass. (Figure 1.2)
5. Lava coals are used for decorative media around the burner base and are not permitted to be in the fire. Lava coals can also be substituted with decorative Fireglass. (Figure 1.3)

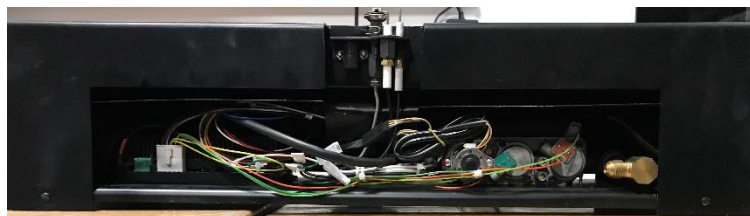
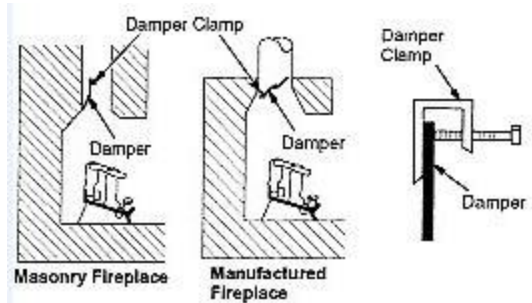


Figure 1.1



Figure 1.2



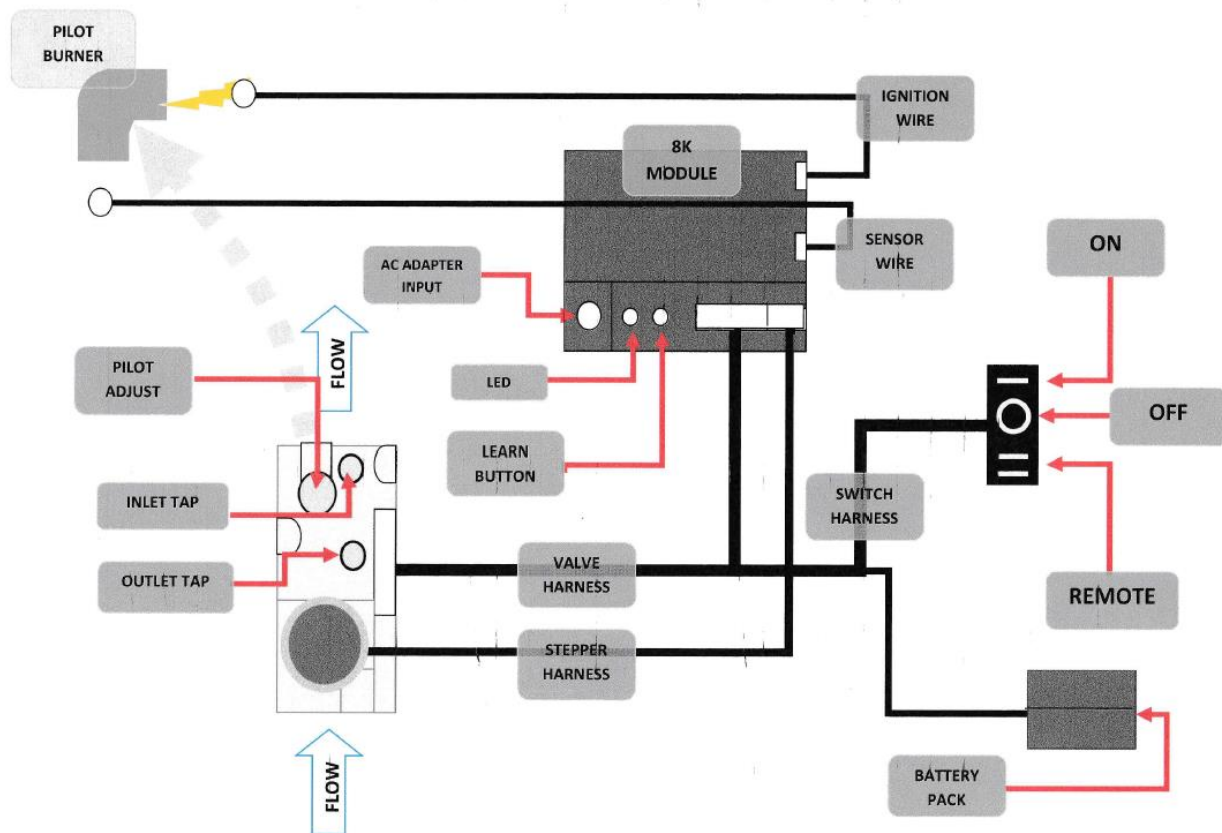
Figure 1.3

LIGHTING INSTRUCTIONS FOR IPI/CPI REMOTE CONTROLS

Operation Instructions:

- Grand Canyon Gas Logs Linear burner has two way to operate the burner, with the switch OR with the remote.
 - First insert 4 x AA batteries into the battery pack OR plug the module into your wall receptacle with the AC adaptor AND insert 3 x AAA batteries into the hand held remote.
- For operation with switch.
 - Locate the switch on the side of the burner.
 - Press the switch so that the “single line” is in the ON position. This will begin the ignition process of the valve system.
 - To turn the system OFF, flip the switch in the opposite direction so that the switch is in the OFF position. See wiring below.
- For Operation with Remote.
 - Locate the switch on the side of the burner.
 - Press the switch so that the “double line” is in the ON position. This WILL NOT turn on the burner, this ONLY now allows you to use the remote to turn the system on & off.
 - With the hand held remote use the “UP” & “DOWN” arrows indicated as “ON” & “OFF” to turn the system “ON” & “OFF”.
 - To ADJUST the flame height up & down, press the function button until there is a number blinking under the flame symbol. Then use the up & down arrows to increase & decrease the flame size. There are 5 flame heights.

M6003V WIRING TO GM8K



WARRANTY

Refractory Logs: Grand Canyon Gas Logs, logs carry a lifetime warranty against any manufacture defects or breakage as long as the products are installed inside. In the event defect or breakage occurs a replacement will be available to pick-up from the dealer at which the log set was originally purchased. This warranty does not cover breakage caused by excessive handling once installed and fired. Logs installed outdoors carry a (1) year warranty. This warranty is limited to original purchaser only.

Burner: Grand Canyon Gas Logs burners carry a life time warranty against manufacture defects or breakage as long as the appliance is installed inside and by a professional installer. In the event a defect or breakage occurs a replacement will be available for pick-up from the dealer at which the burner was originally purchased. Burners installed outside carry a (1) year warranty. This warranty is limited to original purchaser only.

Electrical and Valves: Grand Canyon Gas Logs valves, pilot assemblies and electrical components carry a (2) year warranty against breakage or defects from date of purchase, by original purchaser, and must be installed by a licensed professional installer. This warranty only covers use with Grand Canyon Gas Logs burners and logs in the event a defect or breakage occurs a replacement will be available for pick-up from the dealer at which the burner was originally purchased. Products installed outdoor carry a (1) year warranty.

WARRANTY CARD:

Please fill this warrant card and mail it to Grand Canyon Gas Logs to receive a warranty claim

Purchased from:

City, State

Day/Month/Year:

Your information

Name:

City, State:

Phone Number:

Date of install:

Mail to:

Grand Canyon Gas Logs

3435 E. Atlanta Ave.

Phoenix, AZ 85040