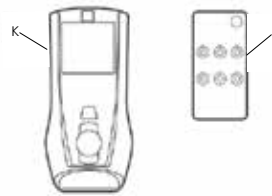
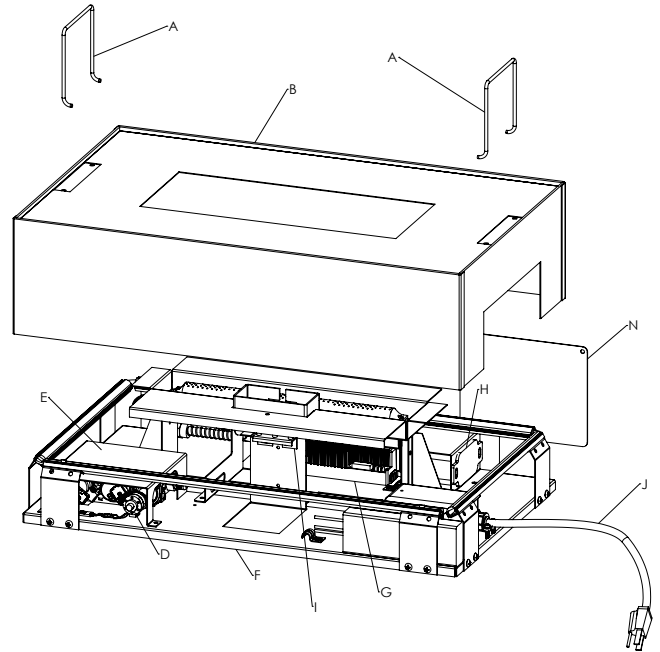




VENTLESS BEDROCK II BURNER

- A. Handles
- B. Case
- C. Burner
- D. Gas Valve
- E. Gas Valve Cover
- F. Base
- G. IFC Board
- H. ProFlame Receiver

- I. Pilot
- J. Power Cord
- K. Multifunction Burner Remote
- L. LED Remote
- M. LED Lights



SPECIFICATIONS

NG Models	BTU High	BTU Low	Manifold Pressure	Inlet Pressure Minimum	Inlet Pressure Maximum
VFLDB24L-EN	16,000	10,000	3.5"W.C.	5"	10.5"
VFLDB36L-EN	32,000	20,000	3.5"W.C.	5"	10.5"
VFLDB48L-EN	39,500	27,000	3.5"W.C.	7"	10.5"
VFLDB60L-EN	39,500	27,000	3.5"W.C.	7"	10.5"
LP MODELS					
VFLDB24L-EP	16,000	9,000	10"W.C.	11"	14"
VFLDB36L-EP	32,000	16,000	10"W.C.	11"	14"
VFLDB48L-EP	39,500	18,000	10"W.C.	11"	14"
VFLDB60L-EP	39,500	18,000	10"W.C.	11"	14"

Sizing Chart

NG/LP	Min. Fire Box Size			
	Front	Rear	Depth	Height
LDB24	24	24	15	20
LDB36	36	36	15	20
LDB48	48	48	15	20
LDB60	60	60	15	20

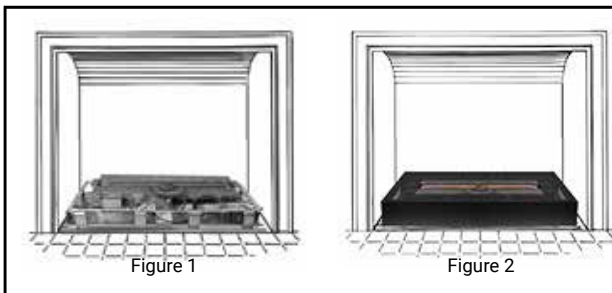


Figure 1

Figure 2

Place Bedrock burner in your fireplace centering the base front to back and side to side. Centering the base allows the case to easily slide over the top of the base. (Figure 1)

Pull up on the handles located on the left and right side of the case. Lift the case and carefully place the case in the fireplace covering the base. Larger units may require two people to install. (Figure 2)

Reflective glass measurements for unit size



Burner Size	LBS Glass Media Used
24"	10 lbs.
36"	15 lbs.
48"	20 lbs.
60"	25 lbs.