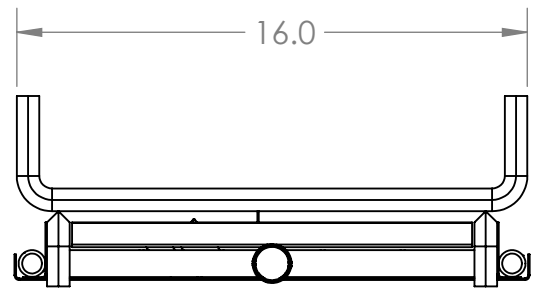
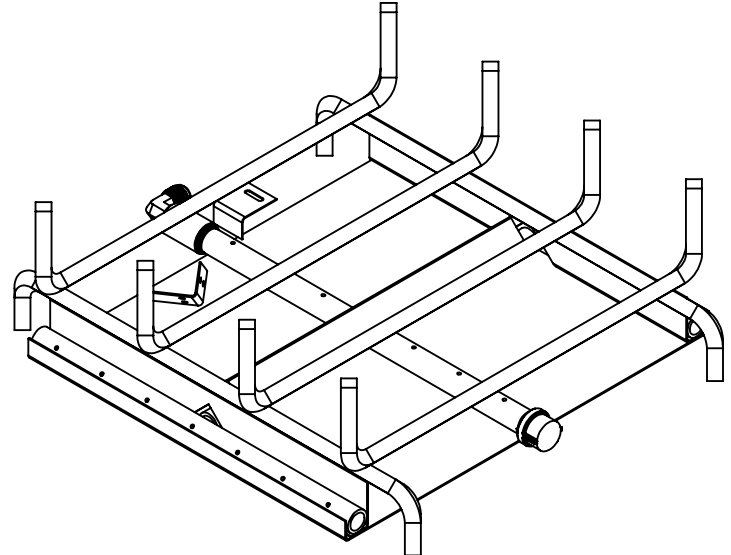
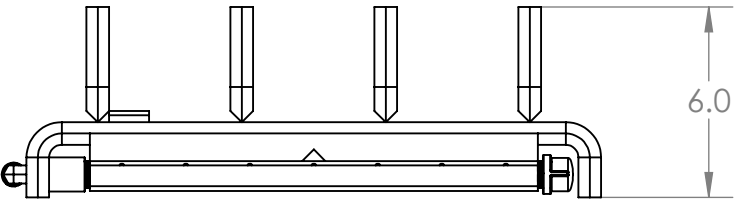
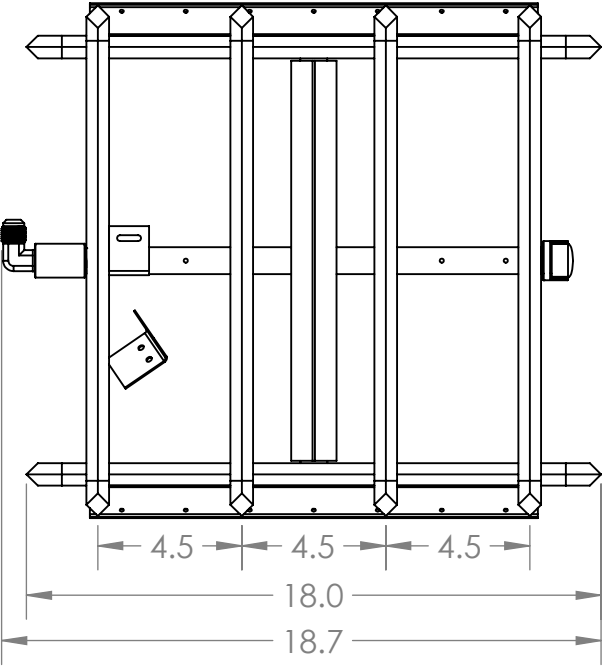


2

1

REVISIONS			
REV.	DESCRIPTION	DATE	APPROVED
A	RELEASED FOR PRODUCTION	7/29/22	

B



B

A

A

BRANDED: GRAND CANYON GAS LOGS
MODEL #: 2BRN-ST18



UNLESS OTHERWISE SPECIFIED:

DIMENSIONS ARE IN INCHES
TOLERANCES:
BEND +2/-0
ONE PLACE DECIMAL ±.125
TWO PLACE DECIMAL ±.0625

INTERPRET GEOMETRIC TOLERANCING PER:

MATERIAL

FINISH

DO NOT SCALE DRAWING

	NAME	DATE
DRAWN	RG	8/2/22
CHECKED	DF	8/10/22
ENG APPR.		
MFG APPR.		
Q.A.		

PROPRIETARY AND CONFIDENTIAL
THE INFORMATION CONTAINED IN THIS DRAWING IS THE SOLE PROPERTY OF RICHARDSON'S PRODUCT GROUP. ANY REPRODUCTION IN PART OR AS A WHOLE WITHOUT THE WRITTEN PERMISSION OF RICHARDSON'S PRODUCT GROUP IS PROHIBITED.

RPG BRANDS

TITLE:
2BRN-ST18

SIZE	DWG. NO.	REV
A	02-00661	A

SCALE: 1:6	WEIGHT:	SHEET 1 OF 1
------------	---------	--------------

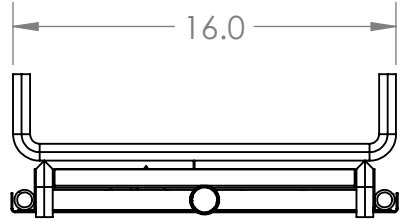
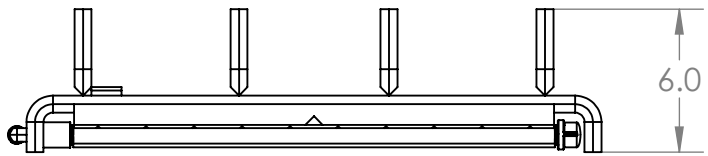
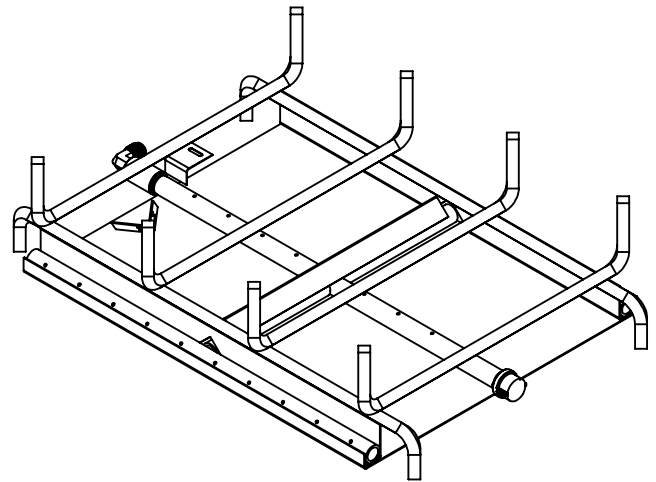
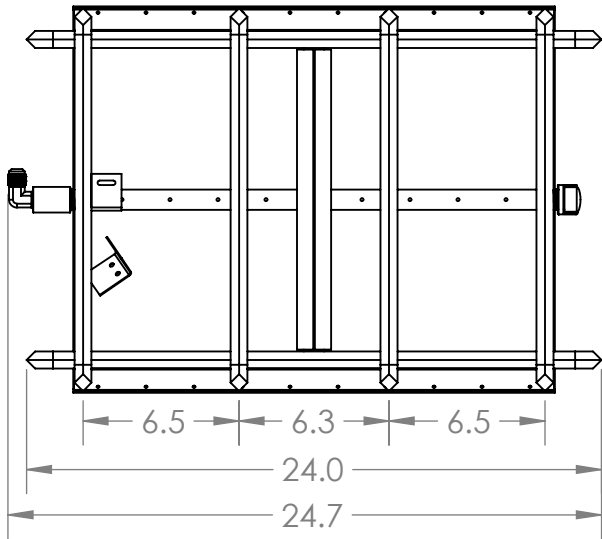
2

1

2

1

REVISIONS			
REV.	DESCRIPTION	DATE	APPROVED
A	RELEASED FOR PRODUCTION	7/29/22	



B

B

A

A

BRANDED: GRAND CANYON GAS LOGS
MODEL #: 2BRN-ST24



UNLESS OTHERWISE SPECIFIED:

DIMENSIONS ARE IN INCHES
TOLERANCES:
BEND +2/-0
ONE PLACE DECIMAL ±.125
TWO PLACE DECIMAL ±.0625

INTERPRET GEOMETRIC TOLERANCING PER:

MATERIAL

FINISH

DO NOT SCALE DRAWING

	NAME	DATE
DRAWN	RG	8/2/22
CHECKED	DF	8/10/22
ENG APPR.		
MFG APPR.		
Q.A.		

PROPRIETARY AND CONFIDENTIAL
THE INFORMATION CONTAINED IN THIS DRAWING IS THE SOLE PROPERTY OF RICHARDSON'S PRODUCT GROUP. ANY REPRODUCTION IN PART OR AS A WHOLE WITHOUT THE WRITTEN PERMISSION OF RICHARDSON'S PRODUCT GROUP IS PROHIBITED.

RPG BRANDS

TITLE:
2BRN-ST24

SIZE	DWG. NO.	REV
A	02-00662	A

SCALE: 1:8	WEIGHT:	SHEET 1 OF 1
------------	---------	--------------

2

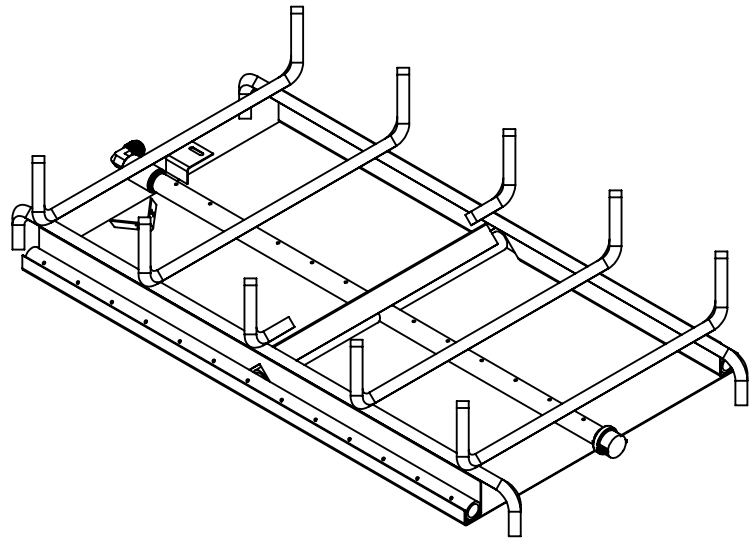
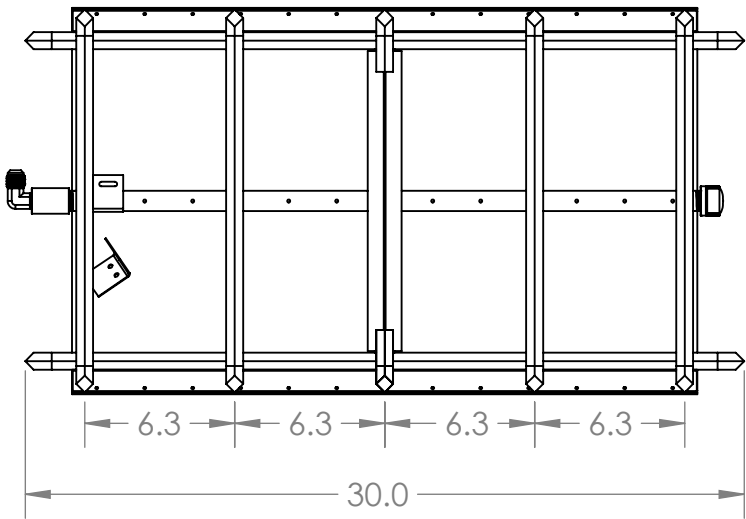
1

2

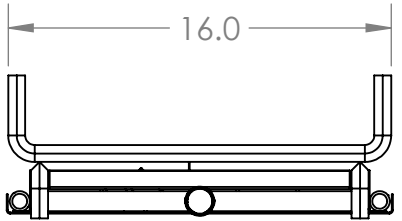
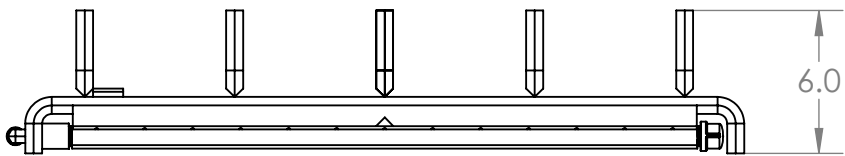
1

REVISIONS			
REV.	DESCRIPTION	DATE	APPROVED
A	RELEASED FOR PRODUCTION	7/29/22	

B



B



A

A

BRANDED: GRAND CANYON GAS LOGS
 MODEL #: 2BRN-ST30



UNLESS OTHERWISE SPECIFIED:	NAME	DATE
DIMENSIONS ARE IN INCHES	DRAWN	RG 8/2/22
TOLERANCES:	CHECKED	DF 8/10/22
BEND +2/-0	ENG APPR.	
ONE PLACE DECIMAL ±.125	MFG APPR.	
TWO PLACE DECIMAL ±.0625	Q.A.	
INTERPRET GEOMETRIC TOLERANCING PER:	PROPRIETARY AND CONFIDENTIAL THE INFORMATION CONTAINED IN THIS DRAWING IS THE SOLE PROPERTY OF RICHARDSON'S PRODUCT GROUP. ANY REPRODUCTION IN PART OR AS A WHOLE WITHOUT THE WRITTEN PERMISSION OF RICHARDSON'S PRODUCT GROUP IS PROHIBITED.	
MATERIAL		
FINISH		
DO NOT SCALE DRAWING		

RPG BRANDS		
TITLE:		
2BRN-ST30		
SIZE	DWG. NO.	REV
A	02-00663	A
SCALE: 1:8	WEIGHT:	SHEET 1 OF 1

2

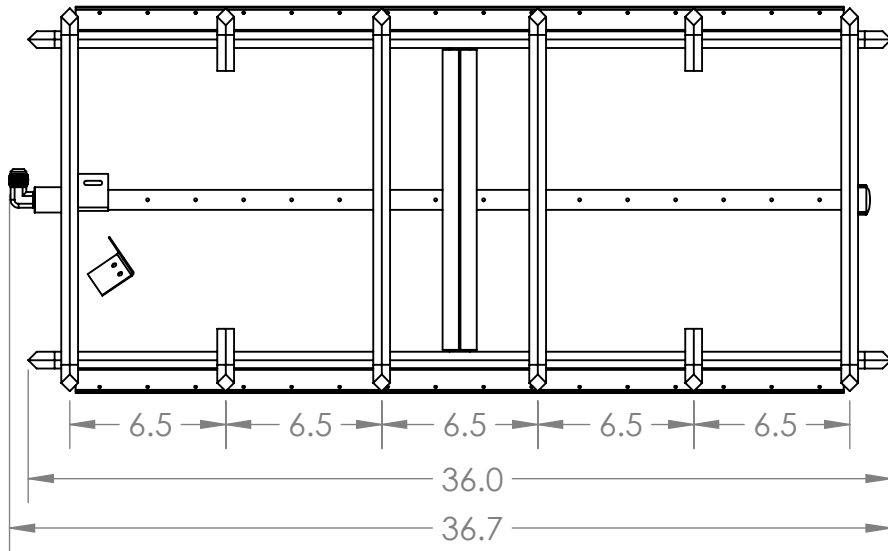
1

2

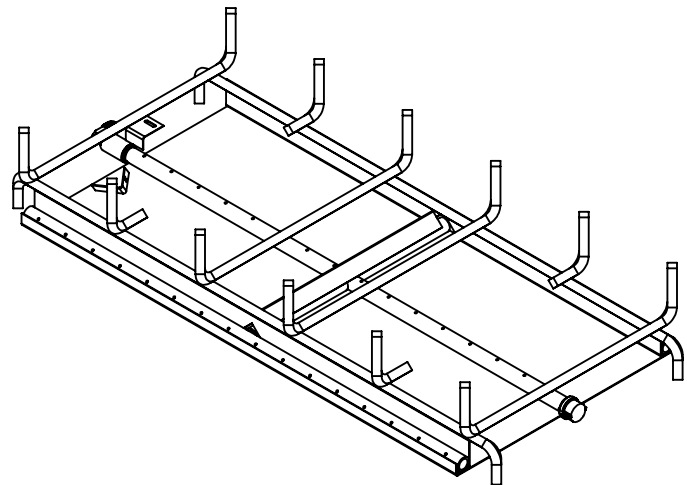
1

REVISIONS			
REV.	DESCRIPTION	DATE	APPROVED
A	RELEASED FOR PRODUCTION	7/29/22	

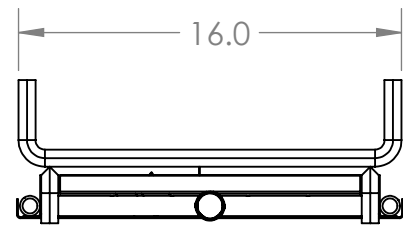
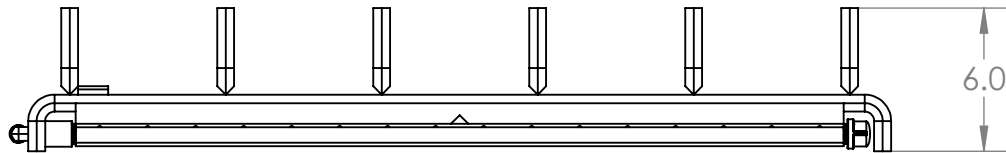
B



B



A



A

BRANDED: GRAND CANYON GAS LOGS
MODEL #: 2BRN-ST36



UNLESS OTHERWISE SPECIFIED:		NAME	DATE	<h2 style="text-align: center;">RPG BRANDS</h2> <p>TITLE:</p> <h3 style="text-align: center;">2BRN-ST36</h3>			
DIMENSIONS ARE IN INCHES		DRAWN	RG			8/2/22	
TOLERANCES:		CHECKED	DF			8/10/22	
BEND +2/-0		ENG APPR.					
ONE PLACE DECIMAL ±.125		MFG APPR.					
TWO PLACE DECIMAL ±.0625		Q.A.			SIZE	DWG. NO.	REV
INTERPRET GEOMETRIC TOLERANCING PER:		<p>PROPRIETARY AND CONFIDENTIAL THE INFORMATION CONTAINED IN THIS DRAWING IS THE SOLE PROPERTY OF RICHARDSON'S PRODUCT GROUP. ANY REPRODUCTION IN PART OR AS A WHOLE WITHOUT THE WRITTEN PERMISSION OF RICHARDSON'S PRODUCT GROUP IS PROHIBITED.</p>			A	02-00664	A
MATERIAL					SCALE: 1:8	WEIGHT:	SHEET 1 OF 1
FINISH							
DO NOT SCALE DRAWING							

2

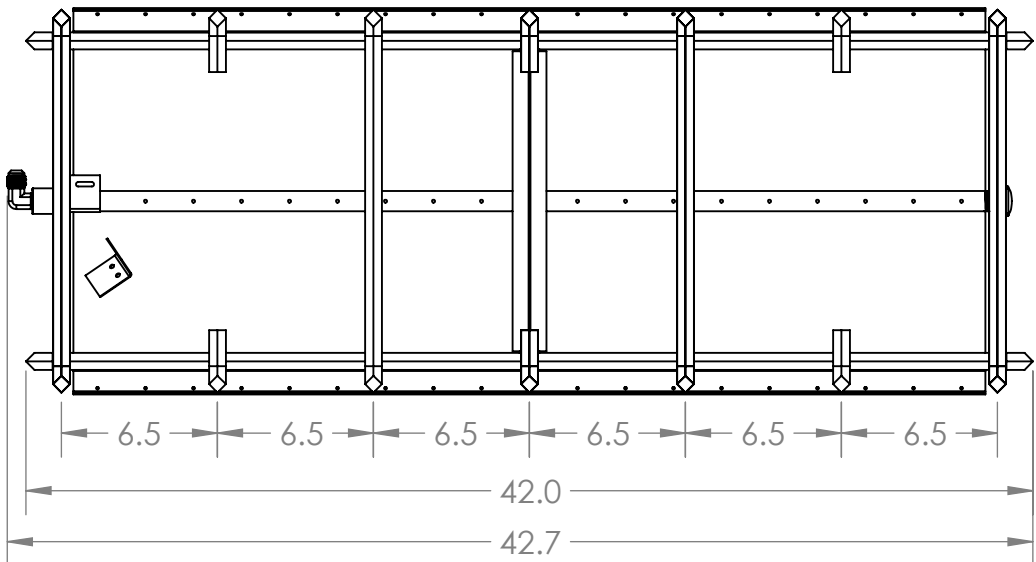
1

2

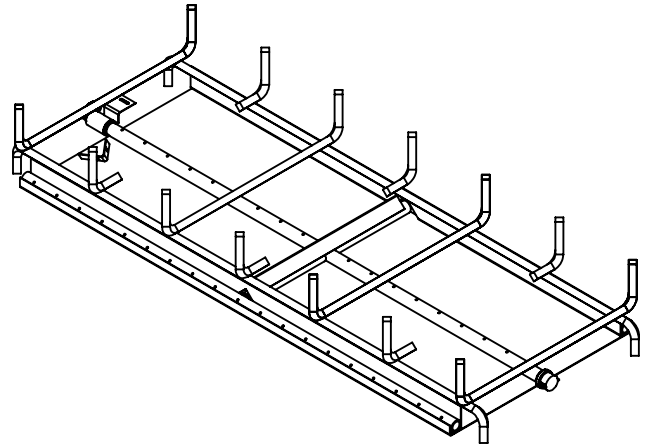
1

REVISIONS			
REV.	DESCRIPTION	DATE	APPROVED
A	RELEASED FOR PRODUCTION	7/29/22	

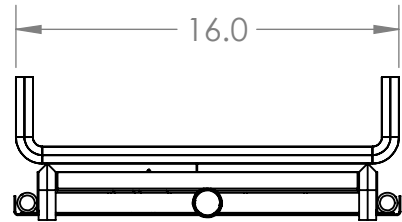
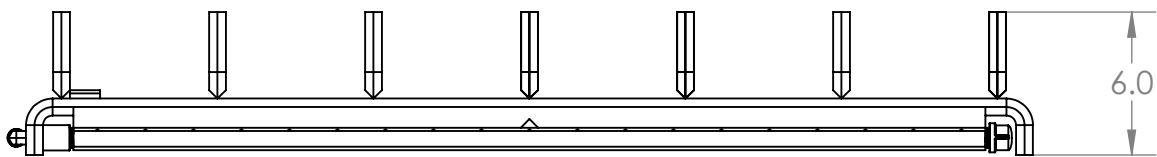
B



B



A



A

BRANDED: GRAND CANYON GAS LOGS
MODEL #: 2BRN-ST42



UNLESS OTHERWISE SPECIFIED:

DIMENSIONS ARE IN INCHES
TOLERANCES:
BEND +2/-0
ONE PLACE DECIMAL ±.125
TWO PLACE DECIMAL ±.0625

INTERPRET GEOMETRIC TOLERANCING PER:

MATERIAL

FINISH

DO NOT SCALE DRAWING

	NAME	DATE
DRAWN	RG	8/2/22
CHECKED	DF	8/10/22
ENG APPR.		
MFG APPR.		
Q.A.		

PROPRIETARY AND CONFIDENTIAL
THE INFORMATION CONTAINED IN THIS DRAWING IS THE SOLE PROPERTY OF RICHARDSON'S PRODUCT GROUP. ANY REPRODUCTION IN PART OR AS A WHOLE WITHOUT THE WRITTEN PERMISSION OF RICHARDSON'S PRODUCT GROUP IS PROHIBITED.

RPG BRANDS

TITLE:
2BRN-ST42

SIZE	DWG. NO.	REV
A	02-00665	A

SCALE: 1:8 WEIGHT: SHEET 1 OF 1

2

1